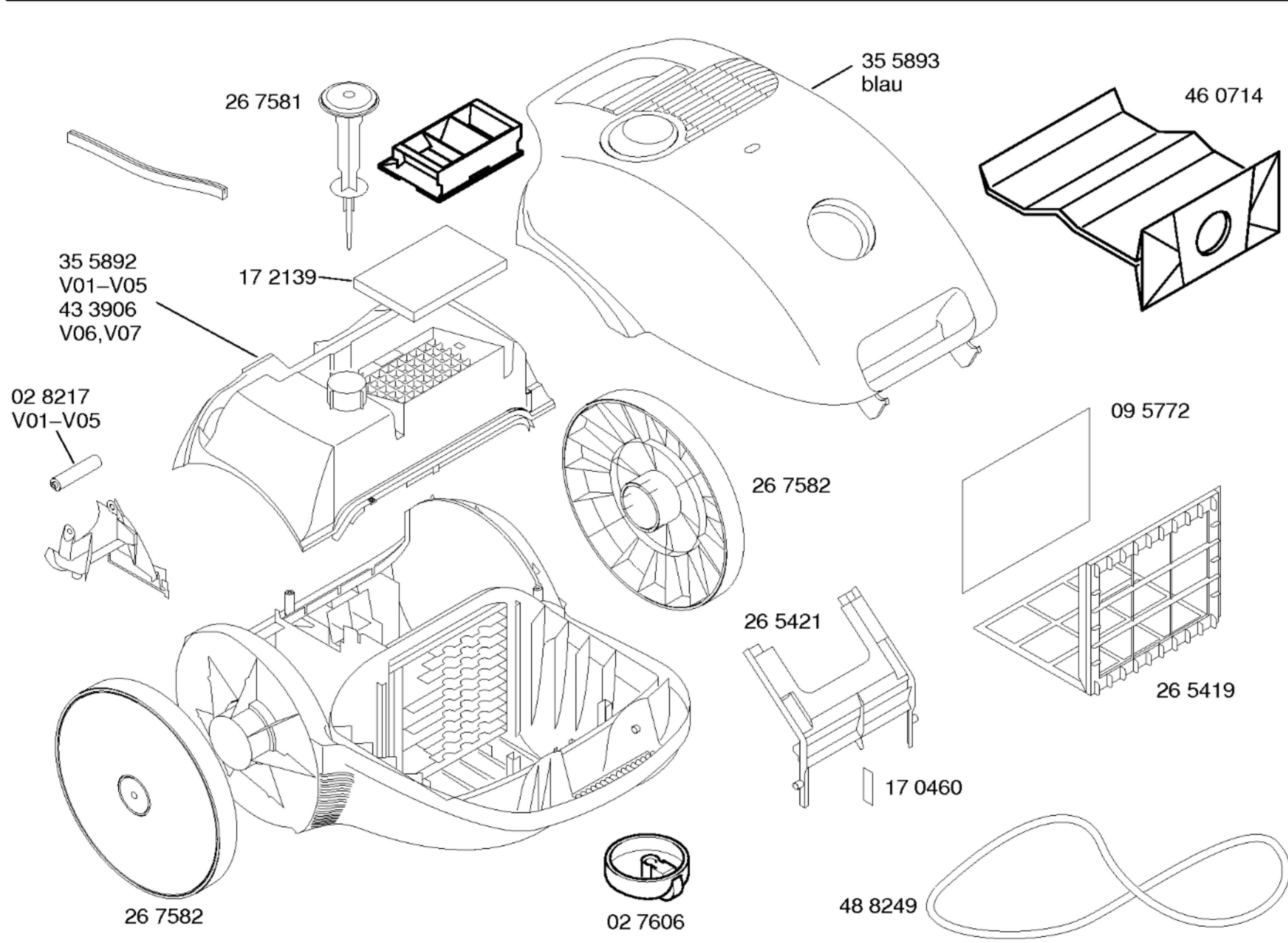


BSA1000/02 – V01, rot  
 BSA1100/02 – V02, opal-grün  
 BSA1101/02 – V03, corallen-rot  
 BSA1100CH/02 – V04, opal-grün

BSA1000/03 – V05, rot  
 BSA1100/05 – V06, opal-grün  
 BSA1101/05 – V07, corallen-rot



Mat. – Nr. – Konstante  
 3740 . . . . .

Gebrauchsanweisung  
 Instruction manual  
 58 2474  
 (de, en, fr, it, nl, da, no, sv,  
 fi, pt, es, el, tr, tu, hu, pl,  
 bg, ro, ar)

Zubehör:  
 Hepa-Filter  
 BBZ8SF1

Aktivkohlefilter  
 BBZ8KF1

Matratzendüse, grau  
 18 4772

Akku-Bürste  
 BBZ37AB/01

Turbo-Bürste  
 für Boden  
 BBZ28TB

Turbo-Bürste  
 für Polster  
 BBZ42TB

Hartbodendüse  
 BBZ20HD

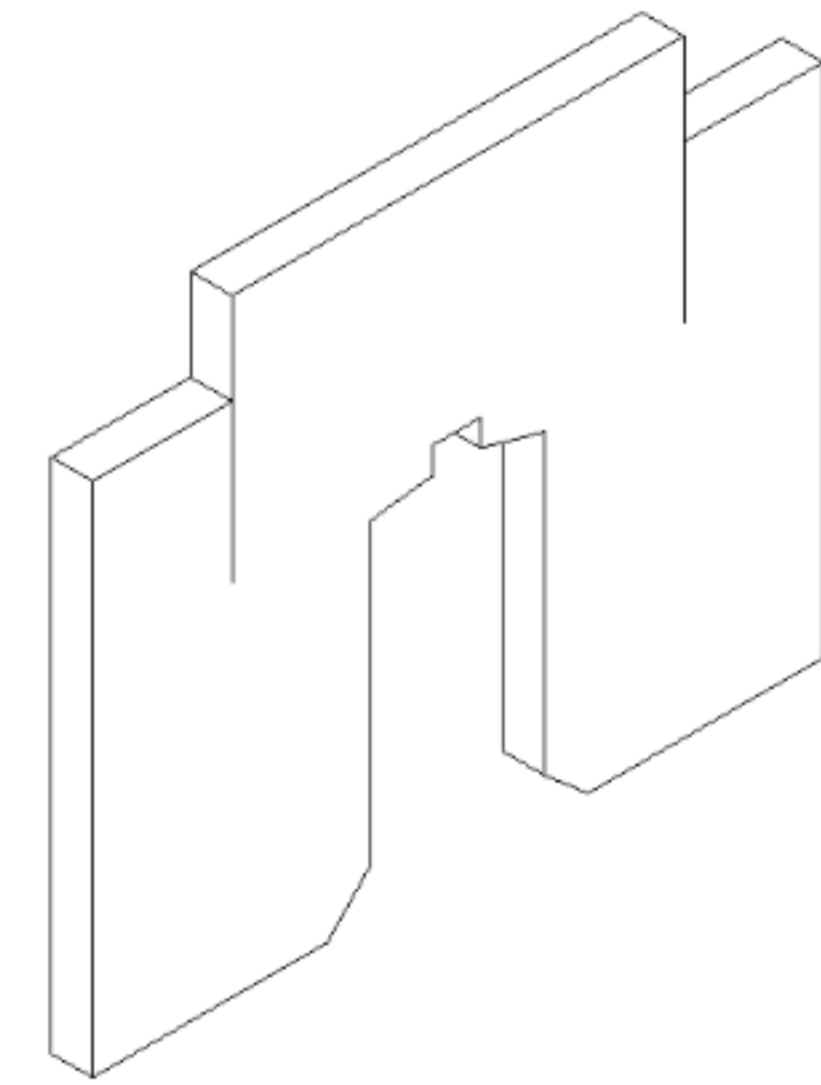
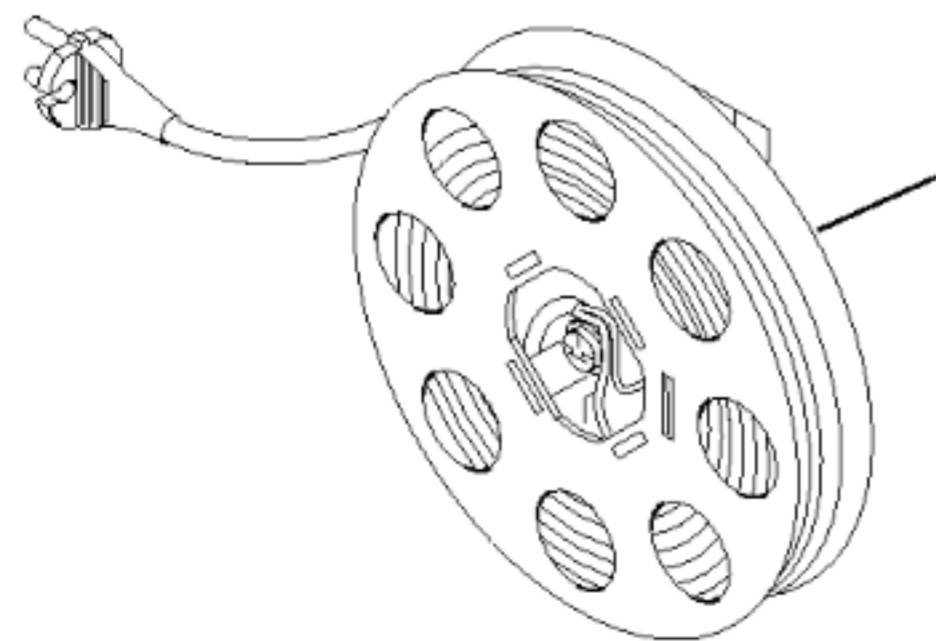
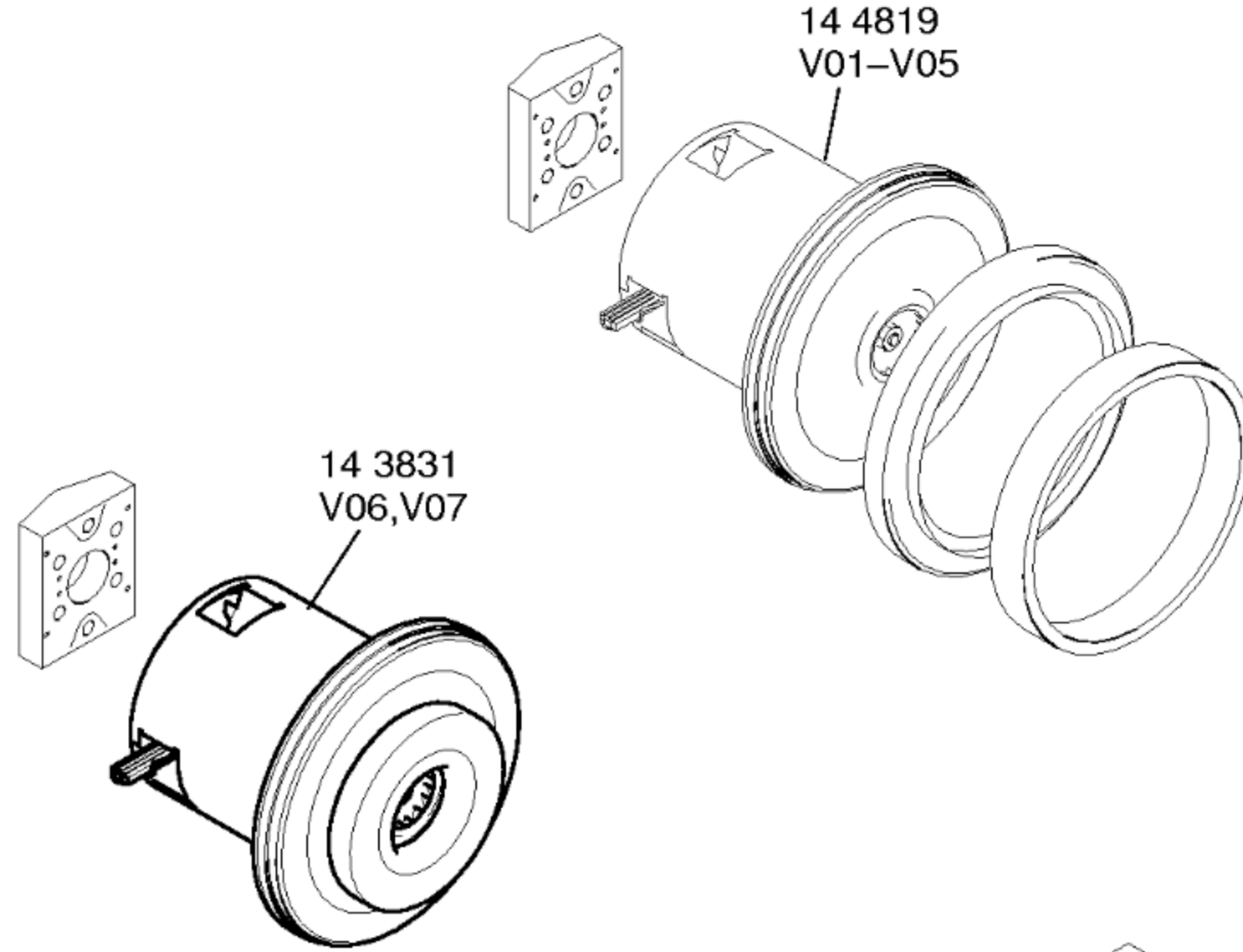
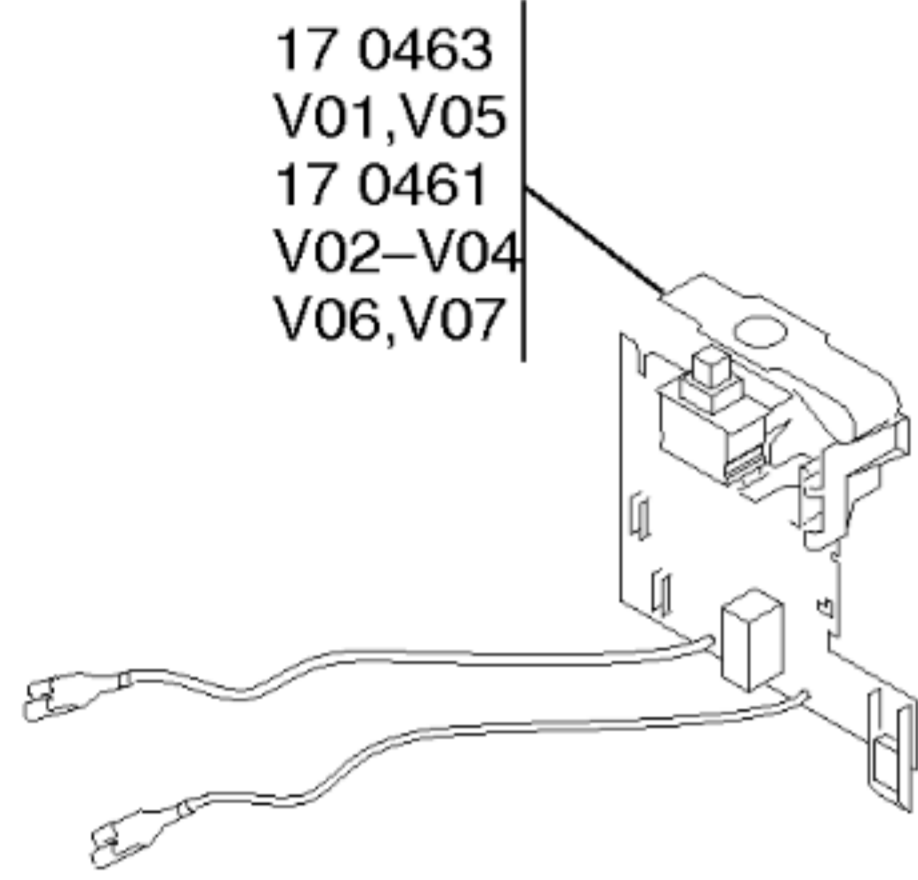
Textilfilter  
 BBZ1TF2

Fugendüse  
 37 cm  
 48 0788

BSA1000/02 – V01, rot  
BSA1100/02 – V02, opal-grün  
BSA1101/02 – V03, corallen-rot  
BSA1100CH/02 – V04, opal-grün

BSA1000/03 – V05, rot  
BSA1100/05 – V06, opal-grün  
BSA1101/05 – V07, corallen-rot

Mat. – Nr. – Konstante  
3740 . . . . .



BSA1000/02 – V01, rot  
 BSA1100/02 – V02, opal-grün  
 BSA1101/02 – V03, corallen-rot  
 BSA1100CH/02 – V04, opal-grün

BSA1000/03 – V05, rot  
 BSA1100/05 – V06, opal-grün  
 BSA1101/05 – V07, corallen-rot

Mat. – Nr. – Konstante  
 3740 . . . . .

