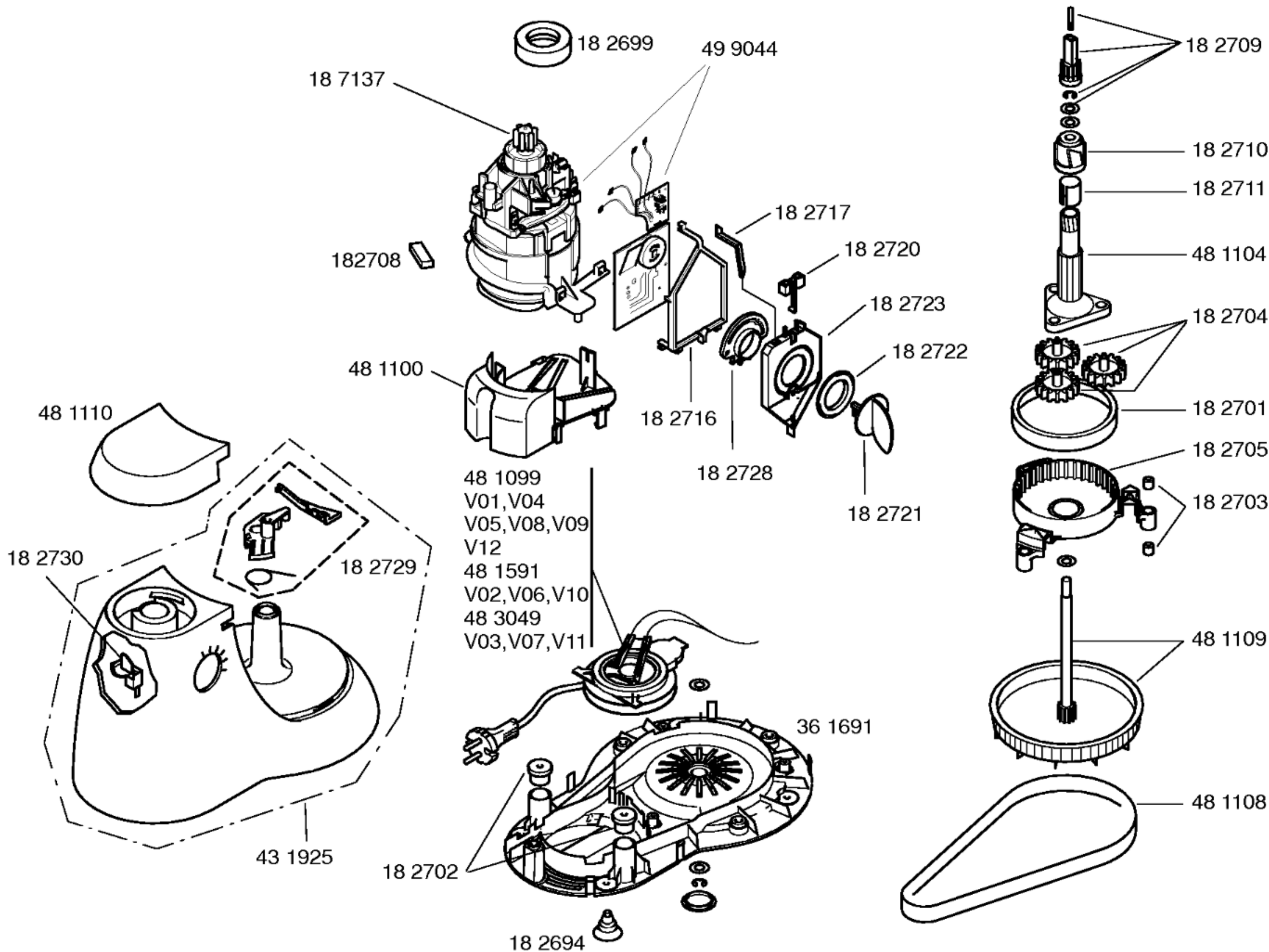


MCM5100/01 – V01  
 MCM5100GB/01 – V02  
 MCM5100CH/01 – V03  
 MCM5110/01 – V04

MCM5180/02 – V05  
 MCM5180GB/02 – V06  
 MCM5180CH/02 – V07  
 MCM5181/02 – V08

MCM5100/02 – V09  
 MCM5100GB/02 – V10  
 MCM5100CH/02 – V11  
 MCM5110/02 – V12

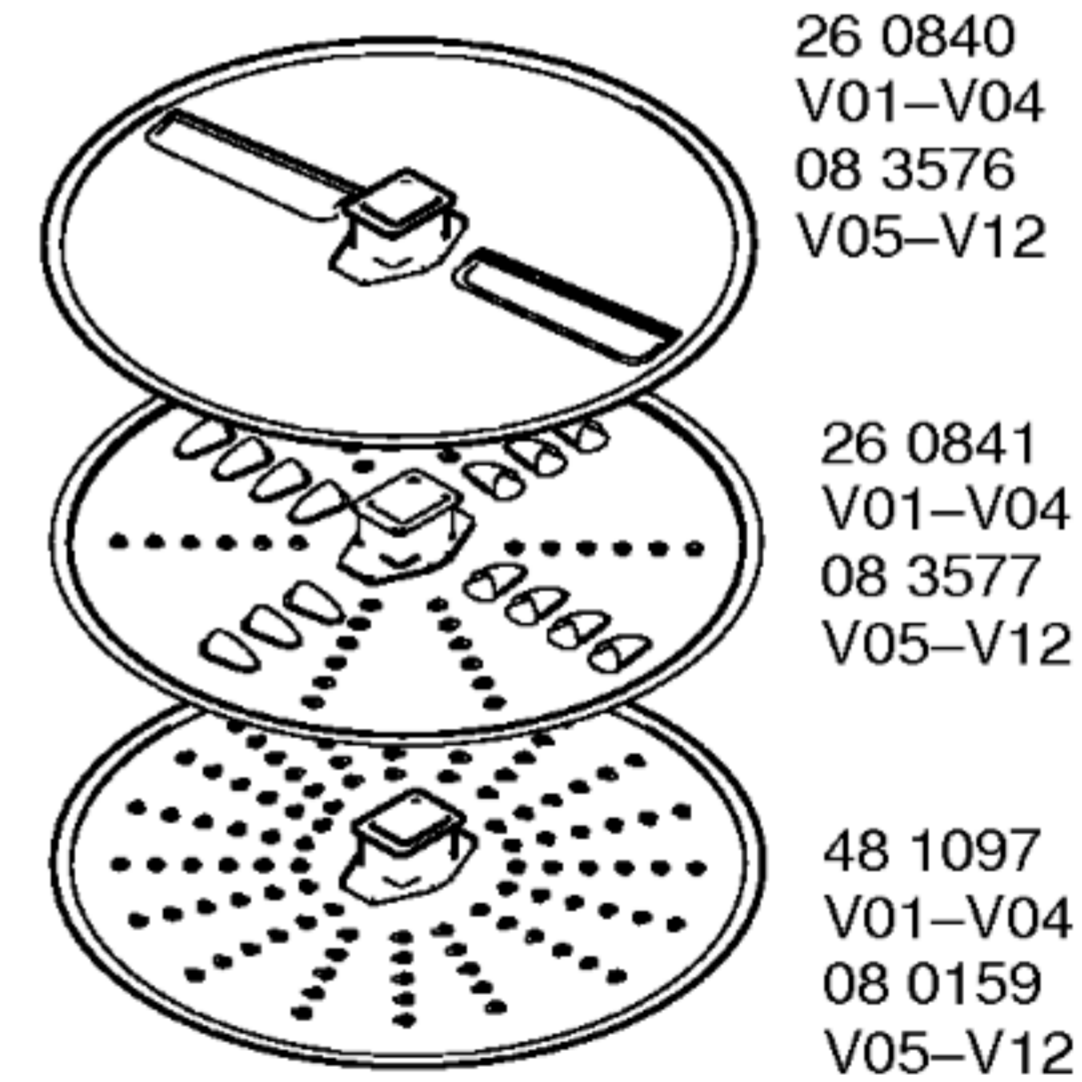
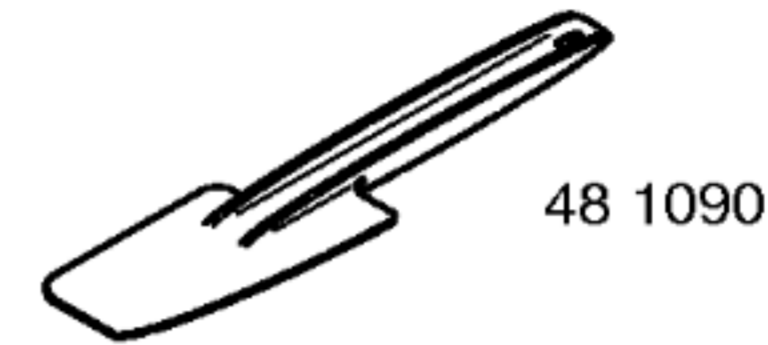
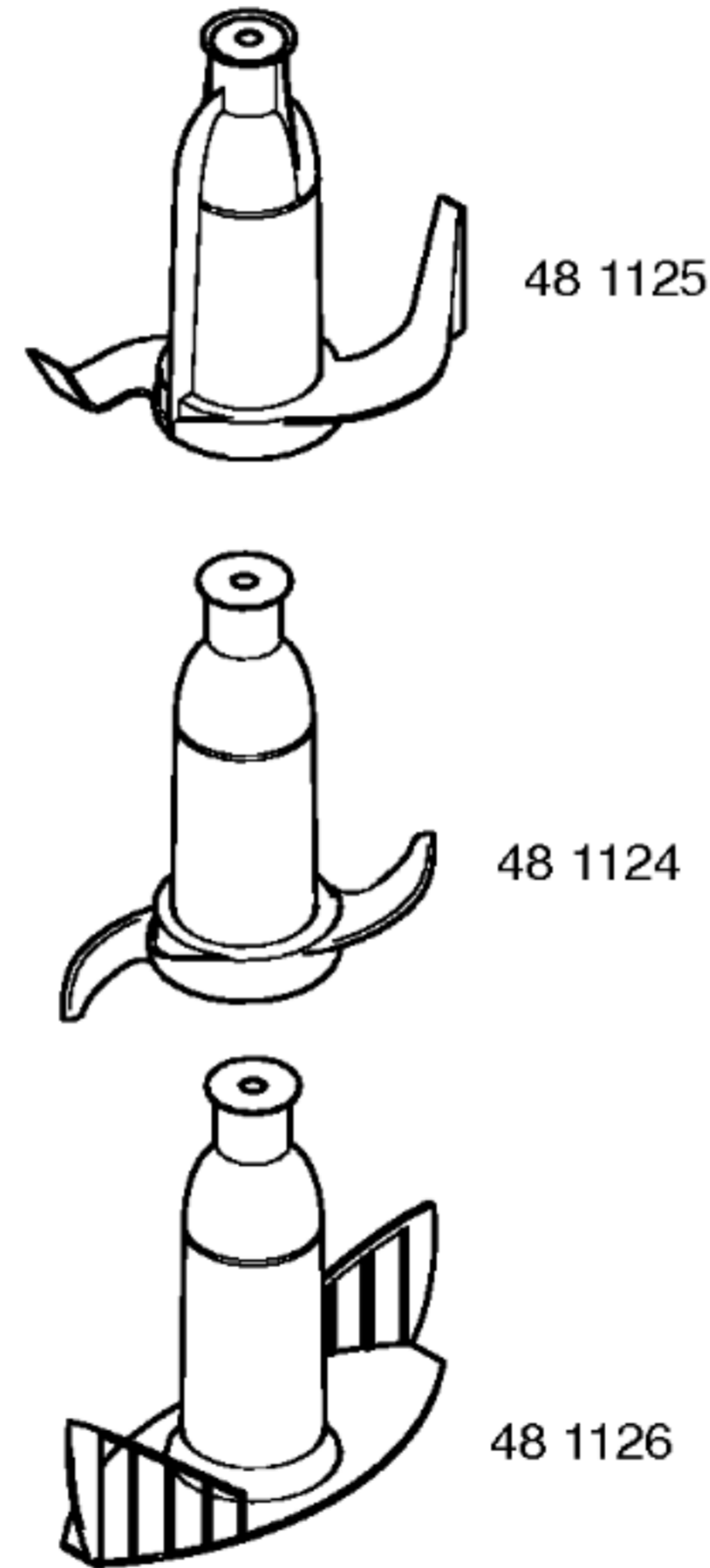
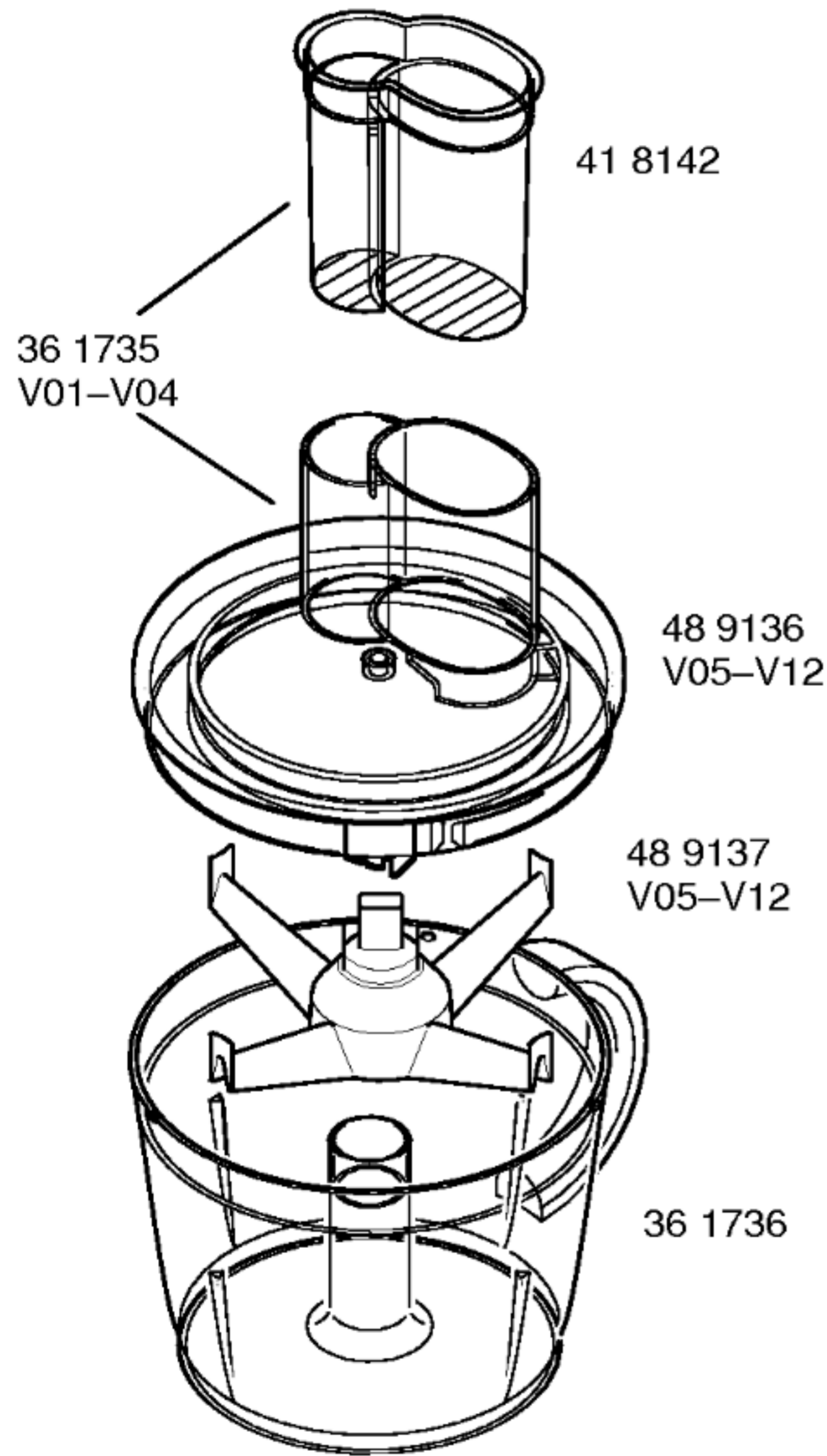


Mat. – Nr. – Konstante  
 3740 . . . . .

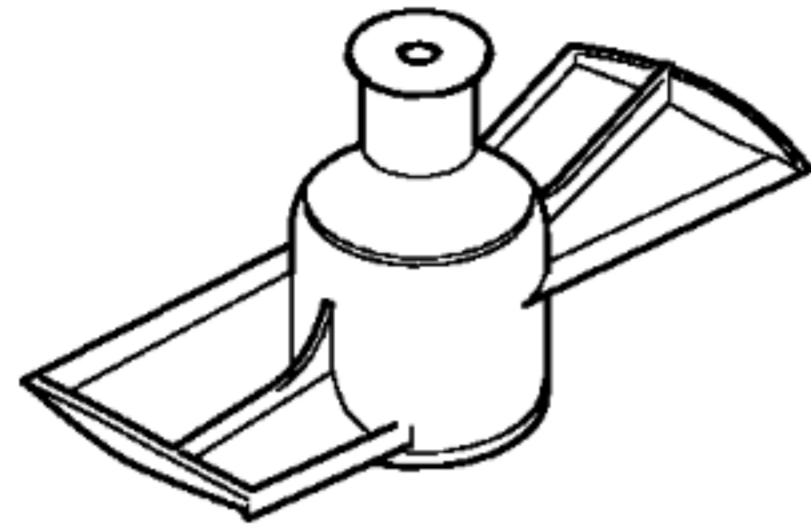
528421  
 V01–V04  
 58 3858  
 V05–V12  
 Gebrauchsanweisung  
 (de,en,fr,it,nl,da,  
 no,sv,fi,es,pt,el,tr,  
 pl,hu,bg,ru,ar)

58 3859  
 V05–V08  
 Rezeptheft  
 (de,en,fr,it,nl,da,  
 no,sv,fi,es,pt,el,  
 tr,pl,hu,bg,ru,ar)

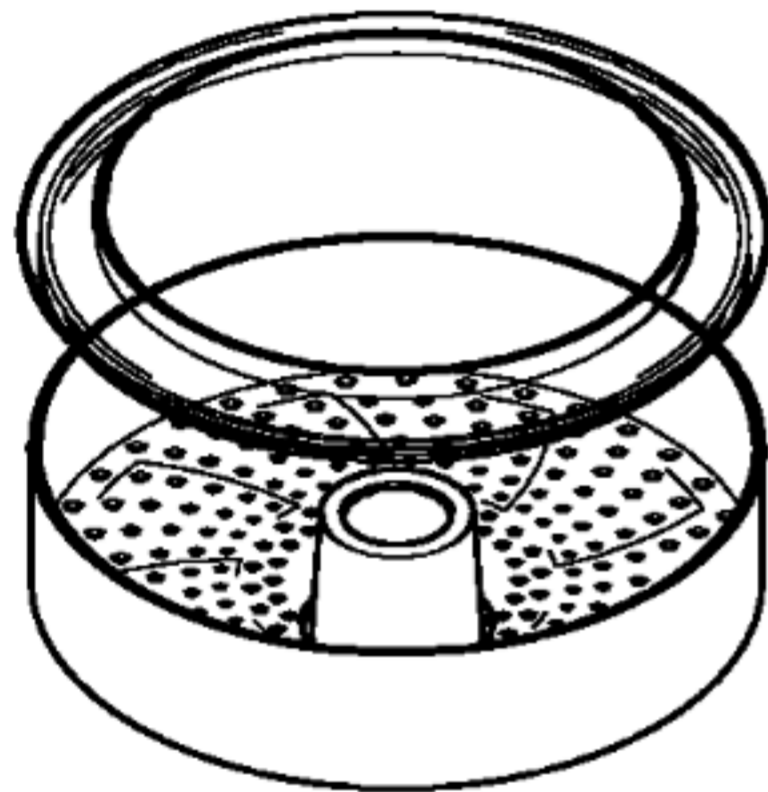
Zubehör:  
 Pommes–Frites–  
 Scheibe  
 MZ 24582  
 V01–V04  
 Reibscheibe grob  
 MZ 24627  
 V01–V04  
 Pommes–Frites–  
 Scheibe  
 MZ5PS01  
 V05–V12  
 Reibscheibe grob  
 MZ5RS01  
 V05–V12  
 Julienne Scheibe  
 MZ5JS01  
 V05–V12  
 Schneid–Raspel–  
 Wendescheibe  
 MZ5KP01  
 V05–V12



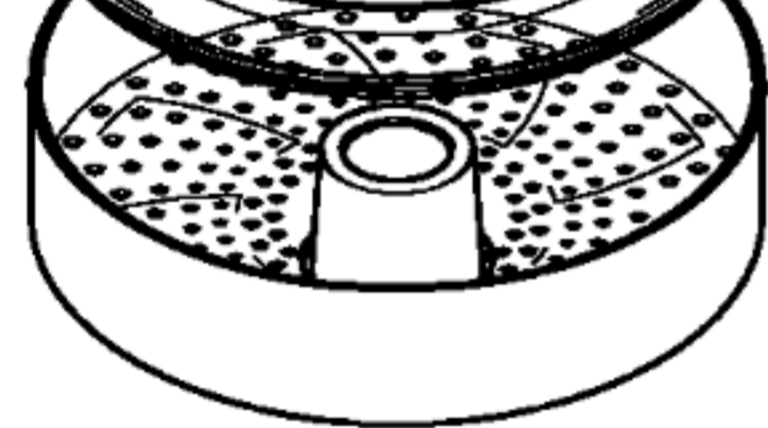
Mat. – Nr. – Konstante  
 3740 . . . . .



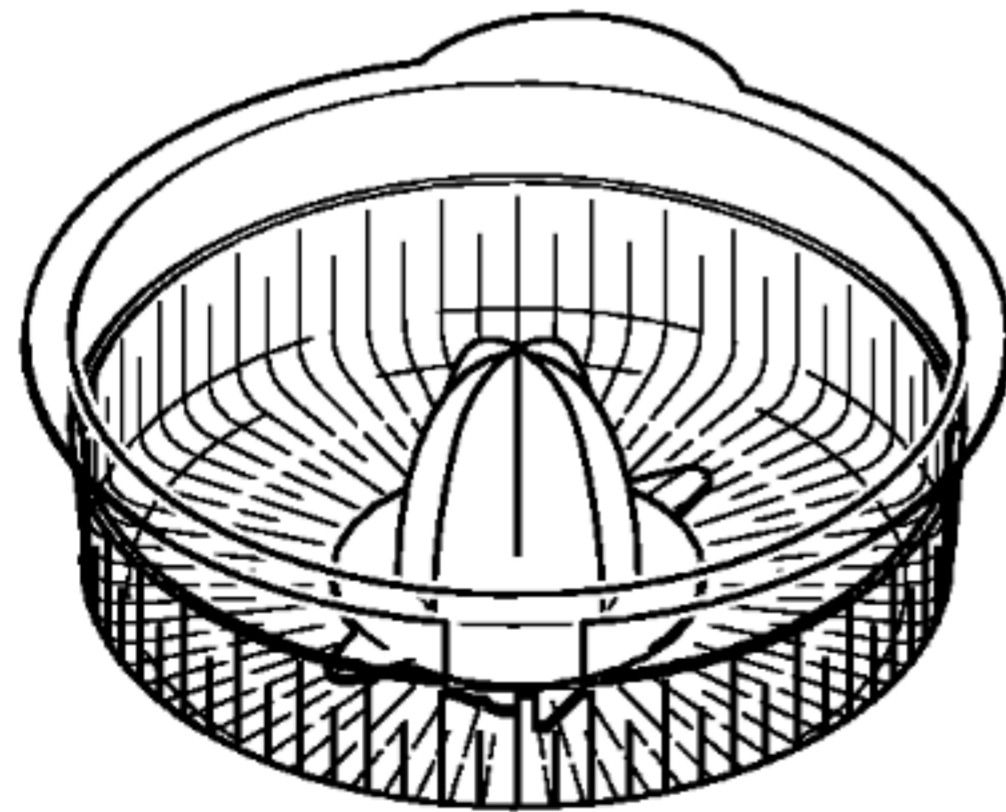
48 1091  
 V01–V03,  
 V09–V11,  
 V05–V07



48 1092  
 V01–V03,  
 V09–V11,  
 V05–V07

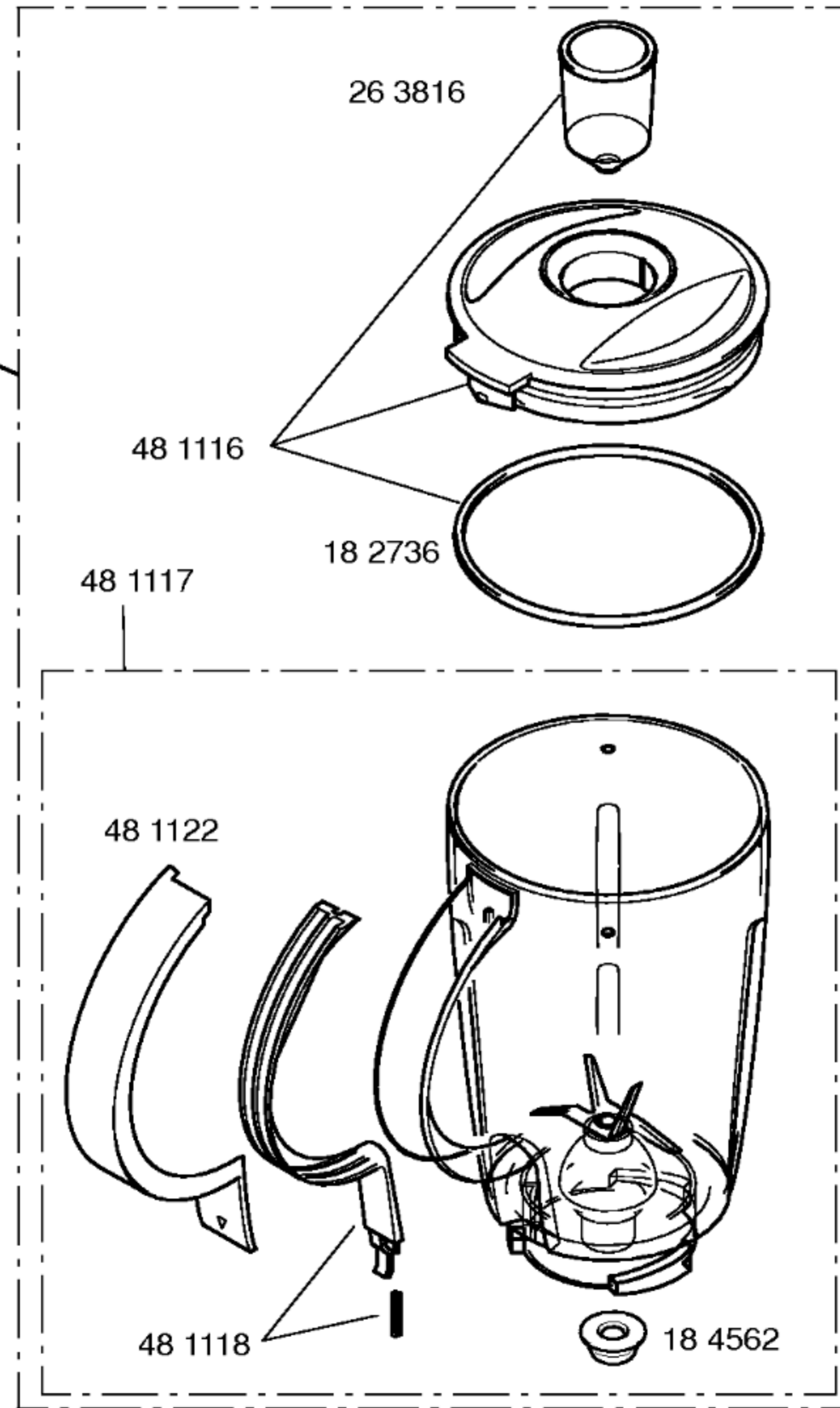


48 1093  
 V01–V03,  
 V09–V11,  
 V05–V07



361724

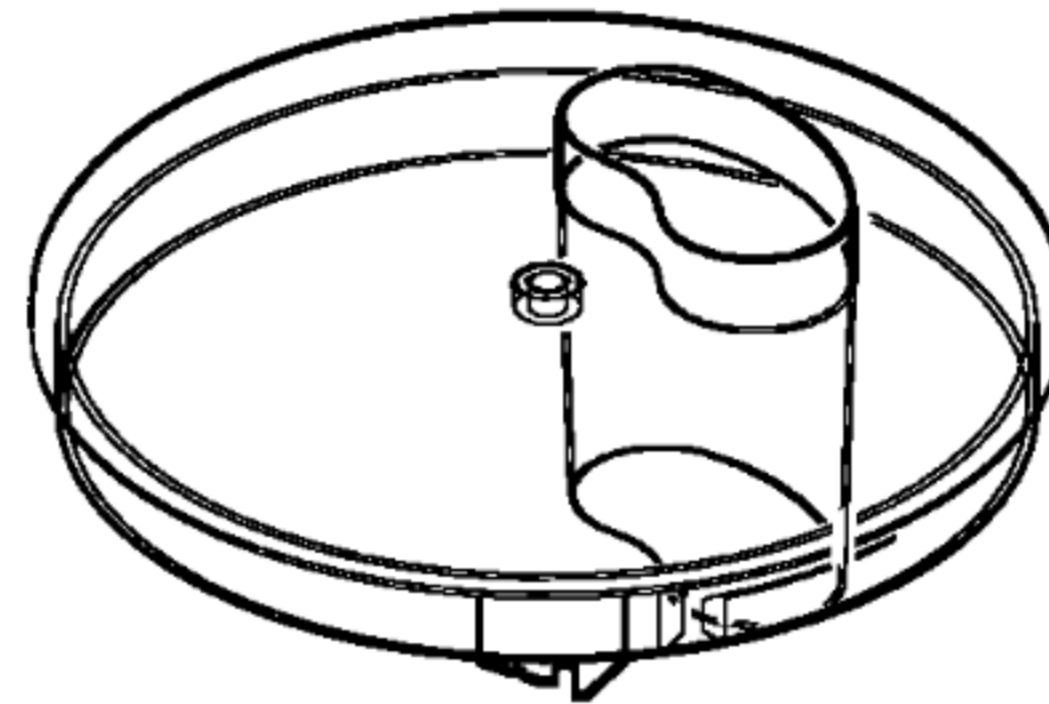
48 9138



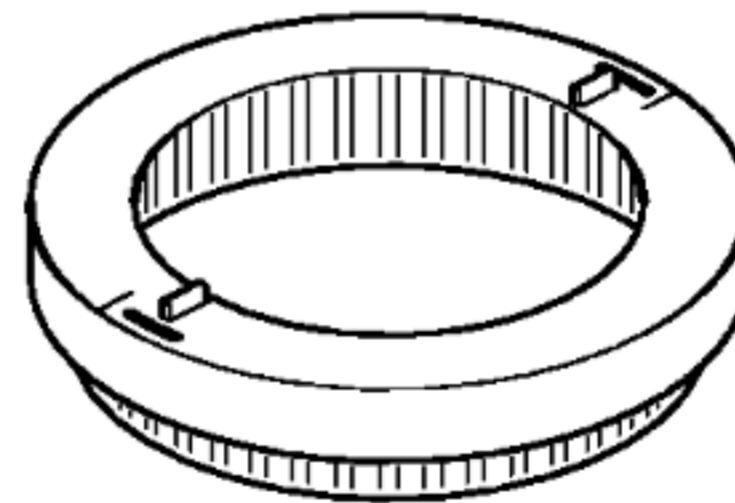
Mat. – Nr. – Konstante  
3740 . . . . .



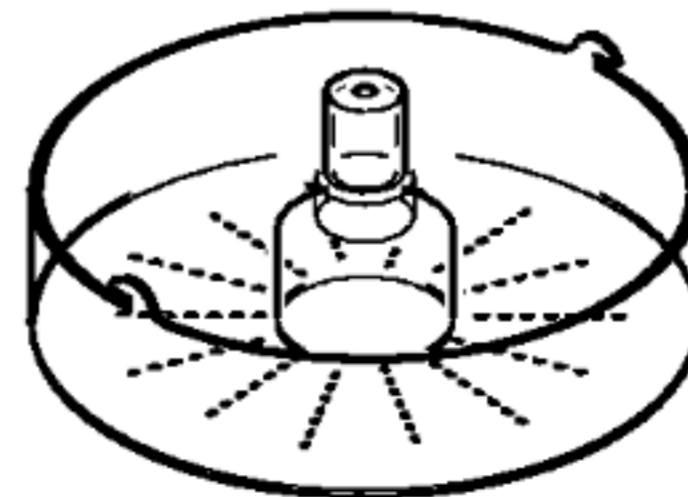
48 1095  
V04, V08,  
V12



36 1686  
V04, V08,  
V12



48 1096  
V04, V08,  
V12



36 1687  
V04, V08,  
V12