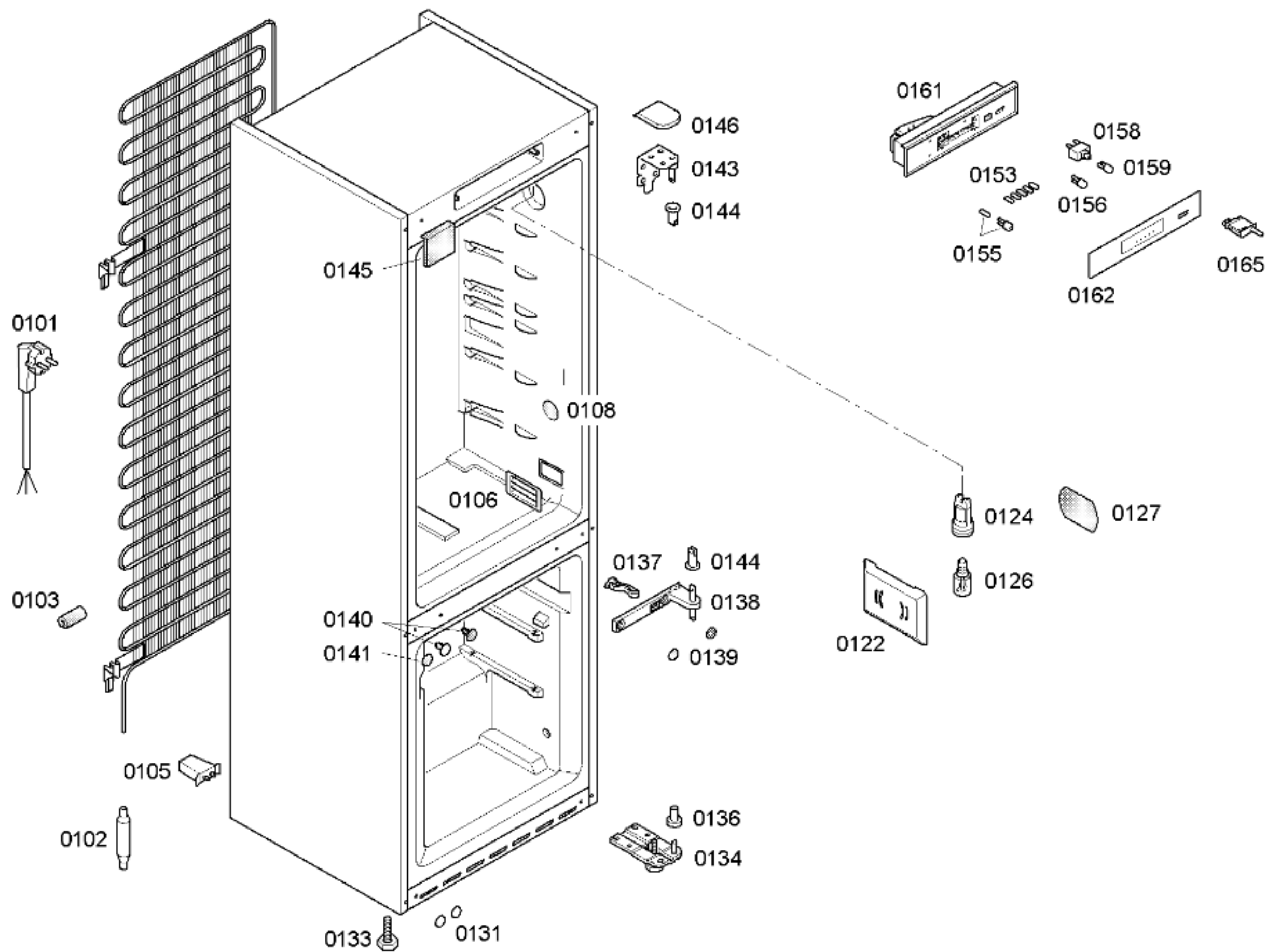
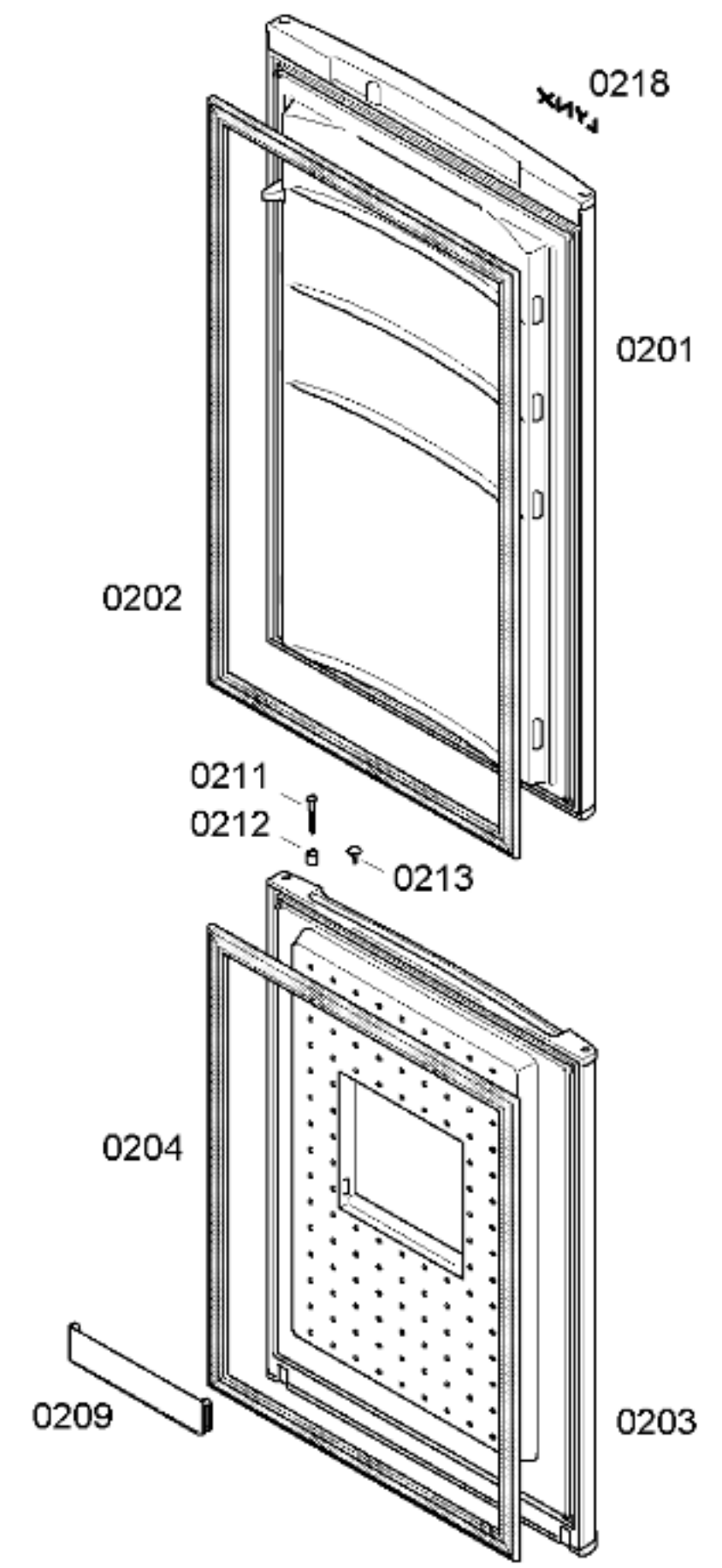
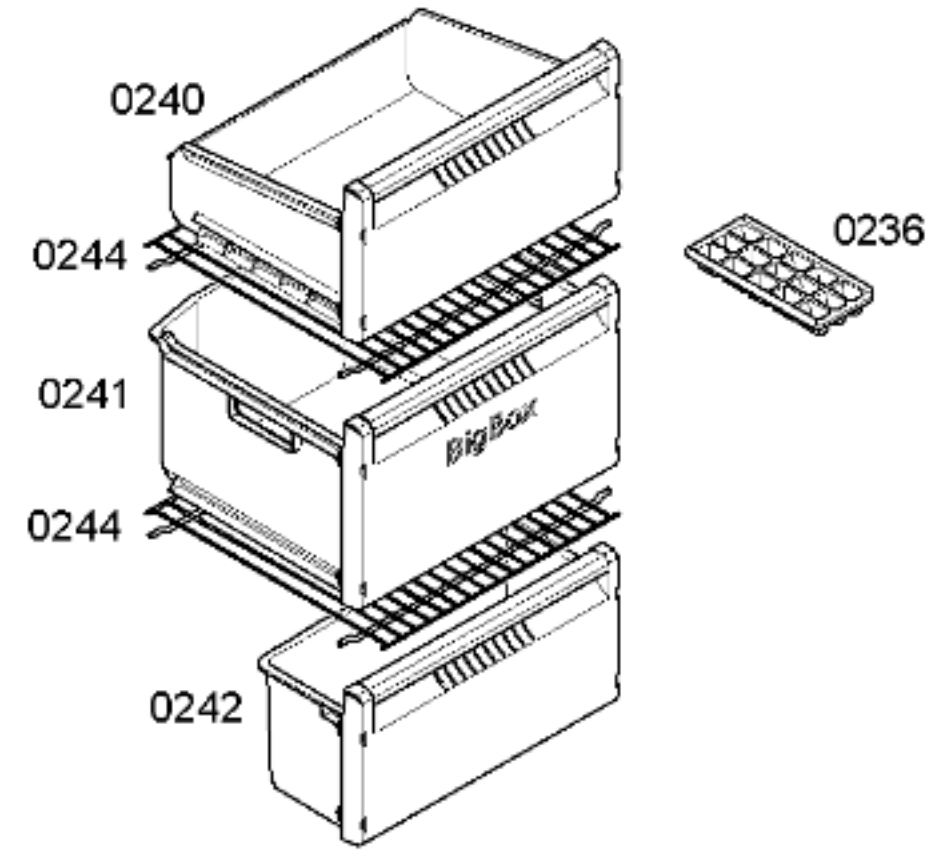
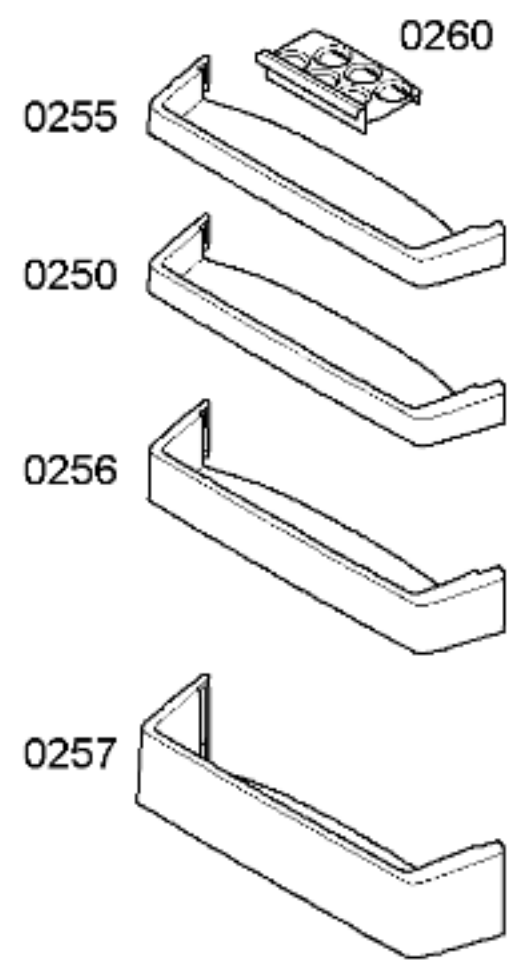
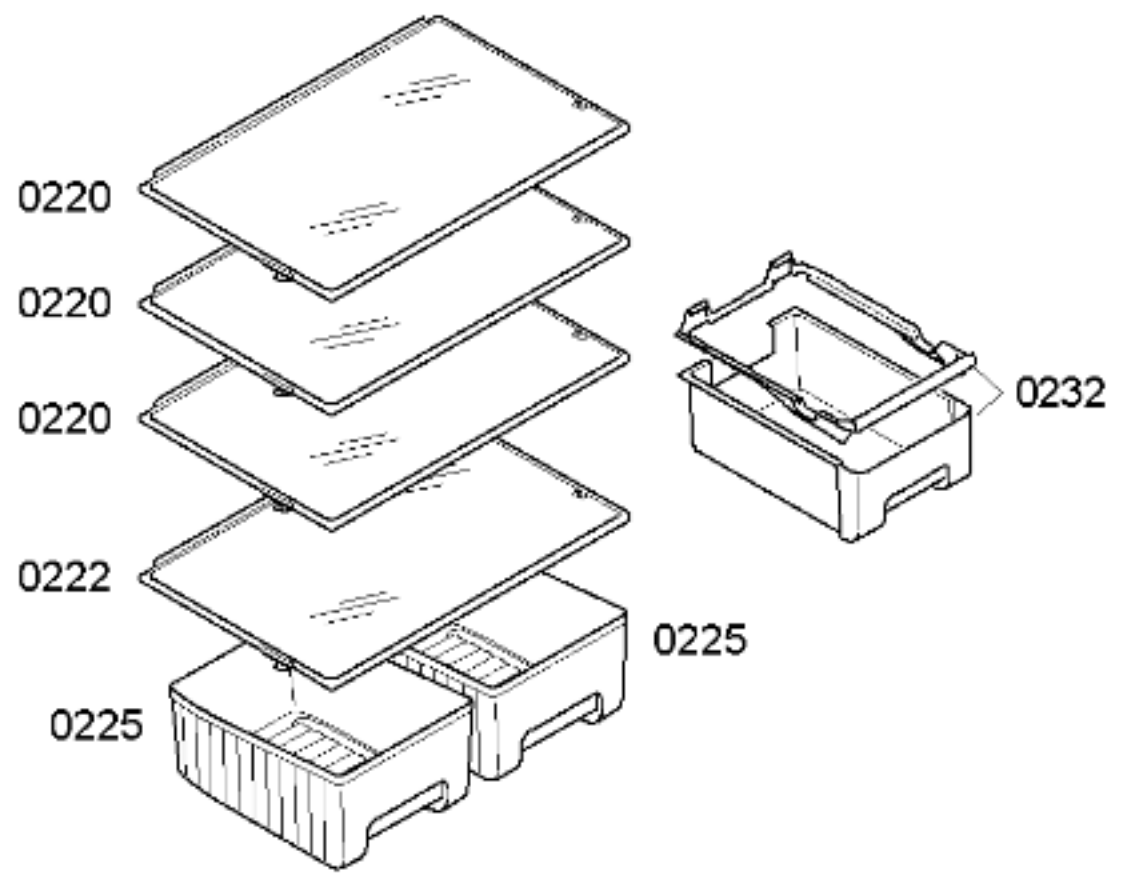
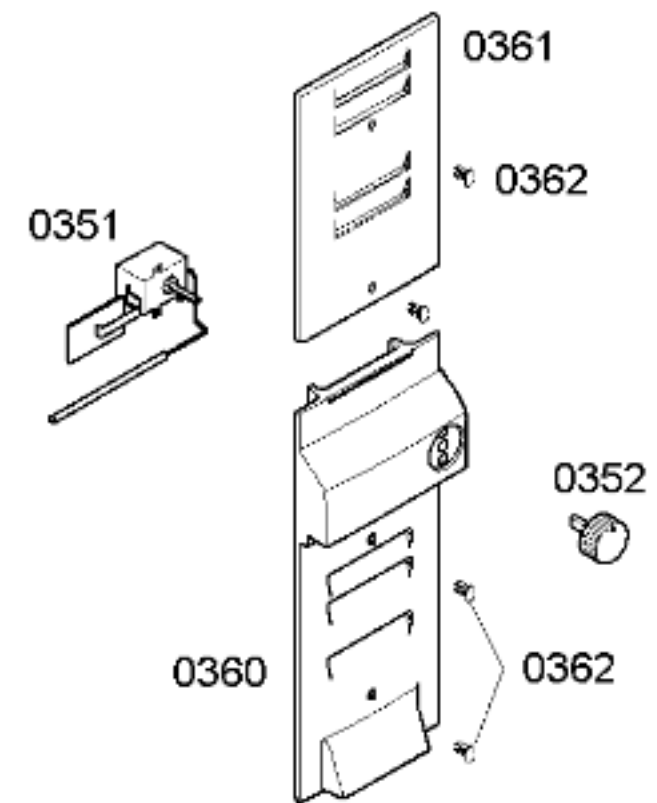
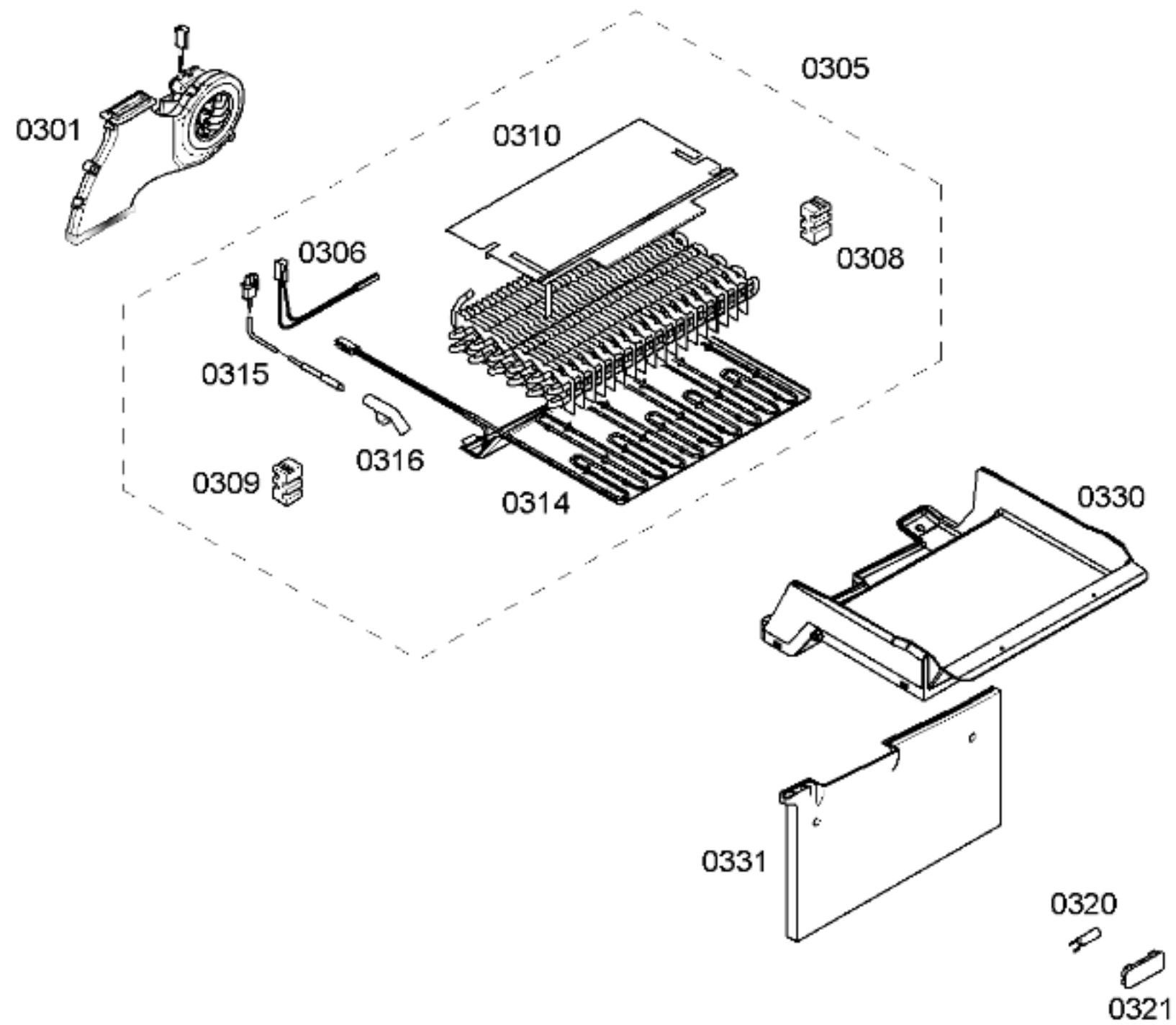


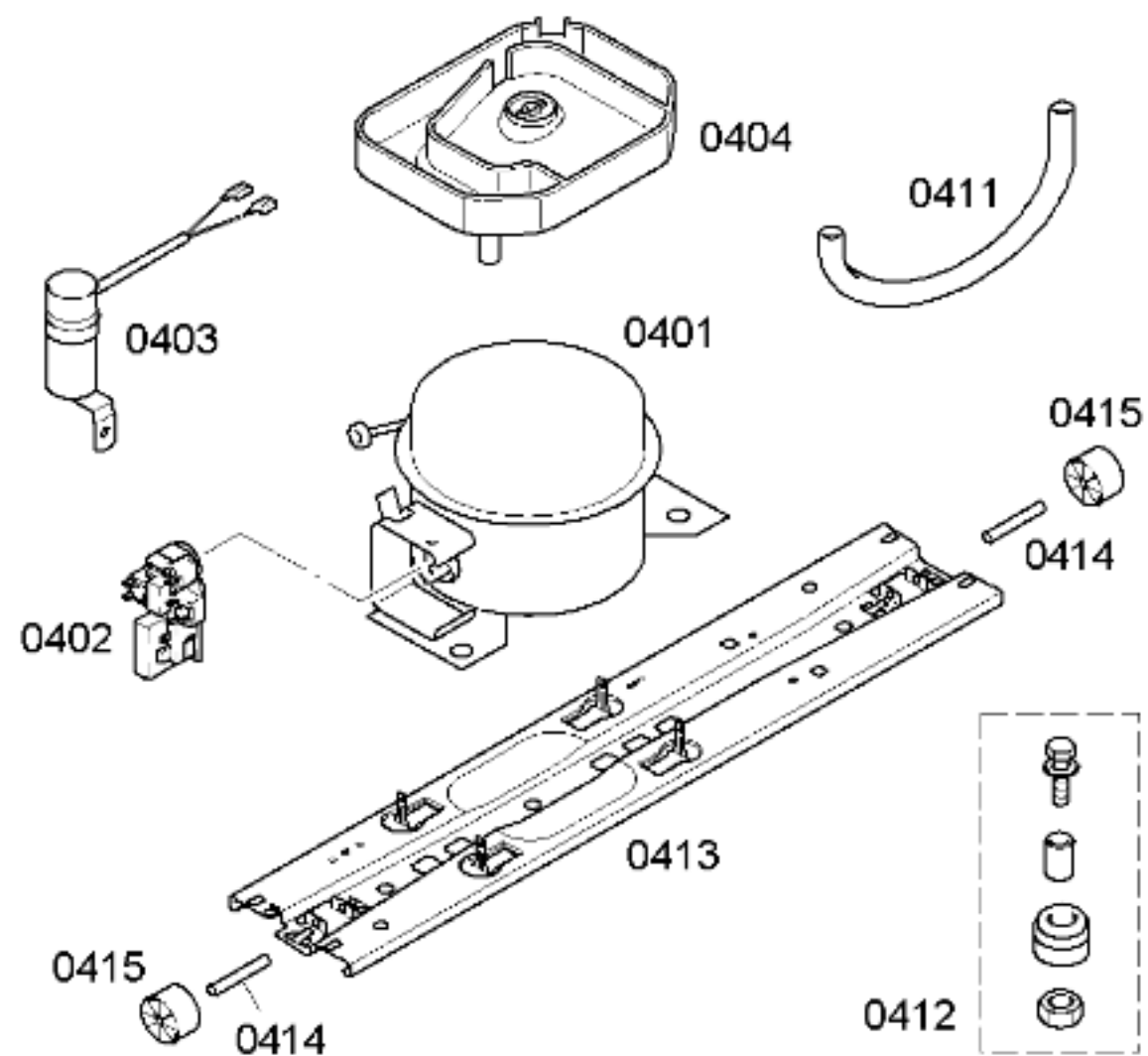


0199









| TECHNISCHE DATEN / TECHNICAL DATA / DONNEES TECHNIQUES / DATOS TECNICOS |          |            |            |            |           |          |
|---|----------|------------|------------|------------|-----------|----------|
| Test conditions: CECOMAF (evap. temp. -25°C)                            |          |            |            |            |           |          |
| Verdichter/Compressor/Compresor   |          | Matsushita | Danfoss    | Matsushita | Danfoss   | Danfoss  |
| Typ/Type/Tipo   |          | DG91E      | NLX8.8KK.2 | DG100E     | NLX10KK.2 | NLE11KTK |
| Anlaufkondensator/Runing capacitor/Condensador de marcha                |          | NO         | YES        | NO         | YES       | NO       |
| Stromverbrauch/Current consumption/Int. consumo                         | A        | 0,64       | 0,37       | 0,70       | 0,44      | 0,95     |
| Leistungsverbrauch/Power consumption/Potencia cons.                     | W        | 95,00      | 76,00      | 109,00     | 89,50     | 123,00   |
| C.O.P.  | WW       | 1,20       | 1,49       | 1,20       | 1,49      | 1,03     |
| Kühlleistung/Cooling capacity/Potencia frigorífica                      | W        | 114        | 113        | 131        | 133       | 127      |
| Füllmenge/Fill. quantity/Charge/Carga                                   | R600a. g | *          | *          | *          | *         | *        |

\* Siehe Typenschild /See identification plate /Voir plaquette de caractéristiques /Ver plaqueta de características