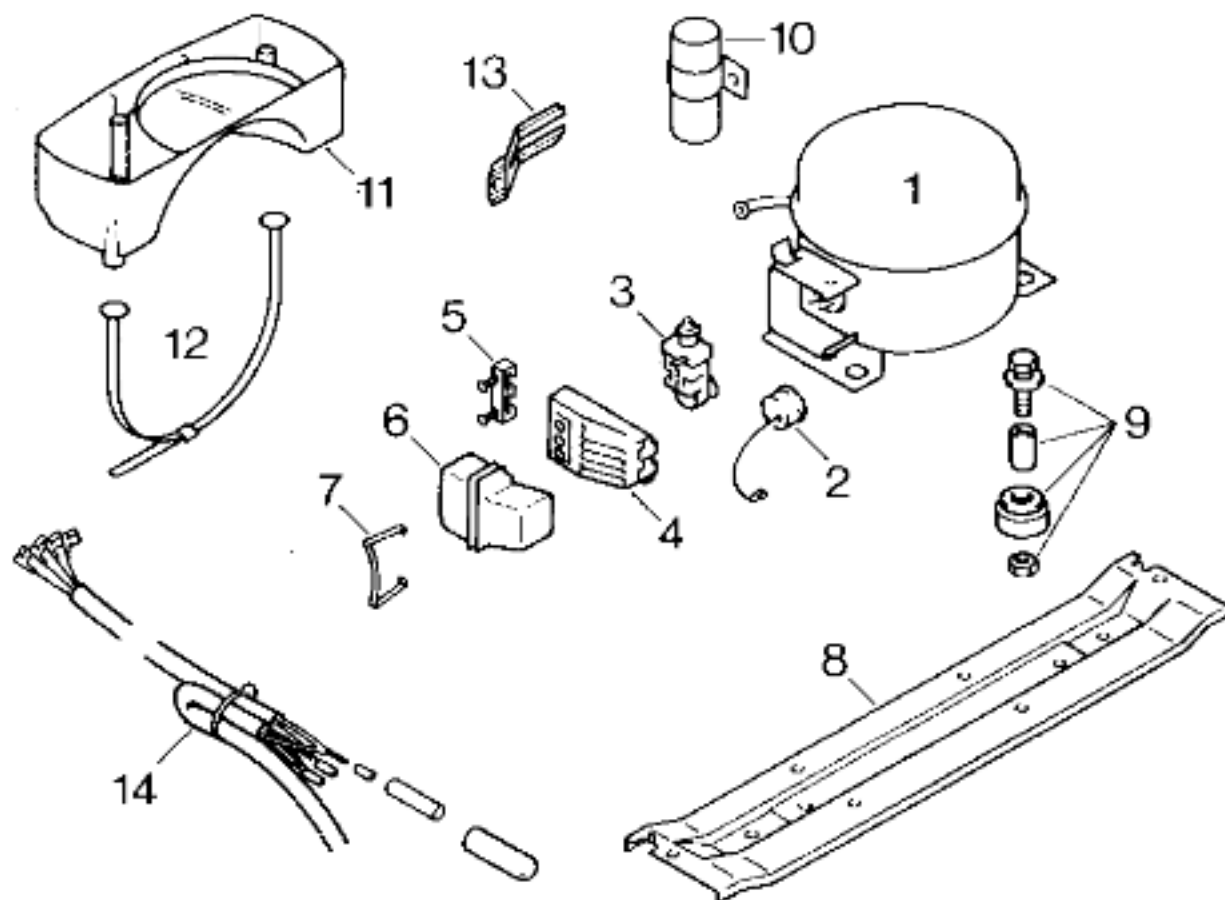


51 0208/00
 Bed.-Anleitung

1) nur für IF 1531 - 0 701 154 736 -D5



TECHNISCHE DATEN / TECHNICAL DATA / DONNÉES TECHNIQUES

| | | | | | |
|---|--|-----------------|---------|------|------|
| Verdichter/Compressor/Compresseur | | Bosch | Danfoss | | |
| Typ/Type | | V 792 | TL 4 A | | |
| Förderleistung/Delivery/Débit | | l/h | 702 | 702 | |
| Anlaufstrom/Starting current/Cour. de démarrage | | A | 8,3 | 7,8 | |
| Widerstand/Resistance/Résistance | | Ha/main/prin. | Ω | 23,0 | 23,8 |
| | | Hi/aux | Ω | 25,2 | 17,0 |
| Temp.-Regler/Thermostat | | Ranco | | | |
| Typ/Type | | A 59 | | | |
| Reglerstellung/Position | | kalt | warm | | |
| Schaltwerte/Switching values/ | | °C | + 4 | + 4 | |
| Valeurs de commutation | | | - 29 | - 19 | |
| | | („abtauen“ od.) | „alarm“ | | |
| Füllmenge/Fill.quantity/Charge | | R12 | g | 110 | |
| Anschlußwert/Conn.load/Puiss. connectée | | | W | 120 | |
| Heizung/Heater/Chauffage | | | | | |
| Widerstand/Resistance/Résistance | | | Ω | 3280 | |
| Leistung/Power/Puissance | | | W | 14,8 | |
| Ventilator/Blower/Ventilateur | | | | | |
| Widerstand/Resistance/Résistance | | | Ω | | |
| Magnetventil/Magnetic valve/Electrovanne | | | | | |
| Widerstand/Resistance/Résistance | | | Ω | | |
| Spannung/Voltage/Tension | | | V | | |

| Pos. | D1 D5 | D1 - D5 | | |
|------|------------|---------------|--|--|
| | Bosch | Danfoss | | |
| 1 | | 13 1064/45 | | |
| 2 | 07 2115/18 | | | |
| 3 | 07 1804/18 | 02 0108/27 | | |
| 4 | 04 9757/02 | | | |
| 5 | | 02 1361/04 | | |
| 6 | 04 9758/02 | 05 1413/06 | | |
| 7 | | | | |
| 8 | | *11 1493/03 | | |
| 9 | | *05 0166/05/4 | | |
| 10 | | | | |
| 11 | 10 6693/03 | *11 1243/01 | | |
| 12 | | | | |
| 13 | | *04 1568/01/2 | | |
| 14 | | *05 1226/08 | | |

*1) Bei Ersatz des Bosch-Verdichters mitbestellen
 To be ordered when replacing the Bosch compressor
 A commander lors du remplacement du compresseur Bosch