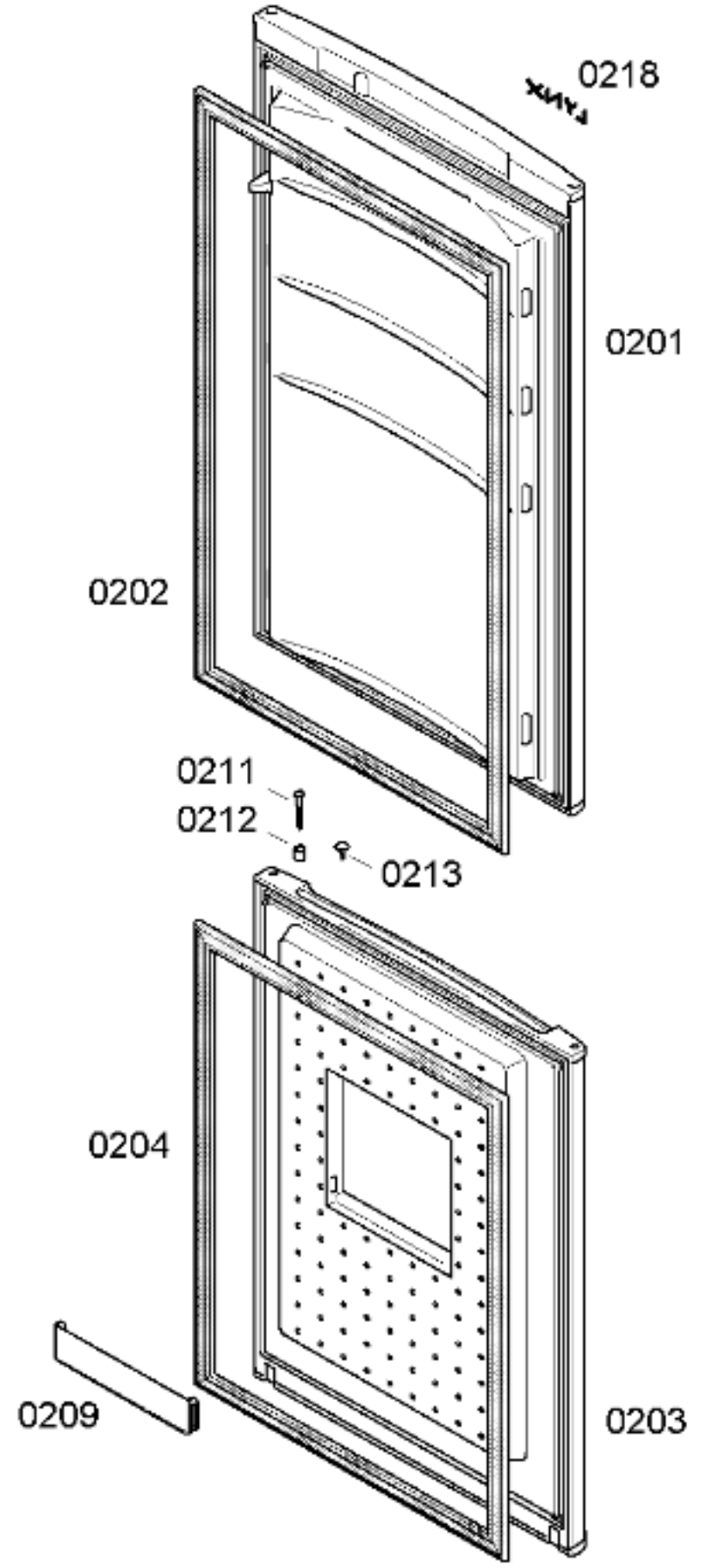
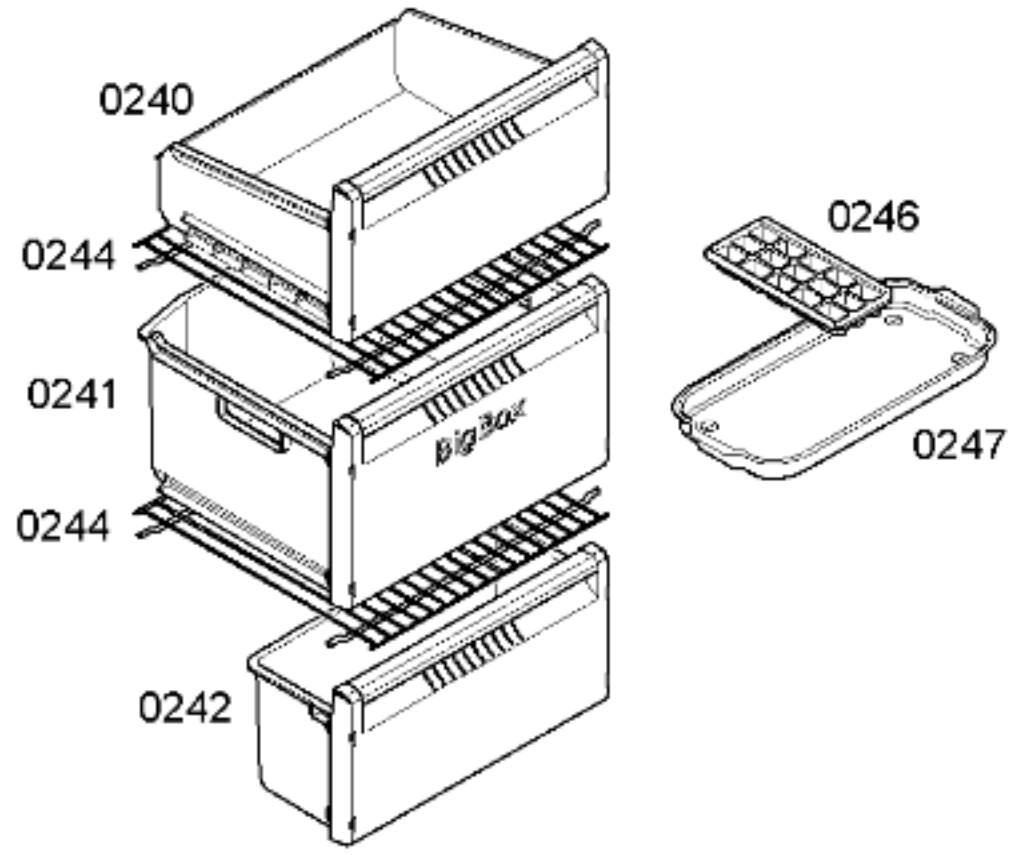
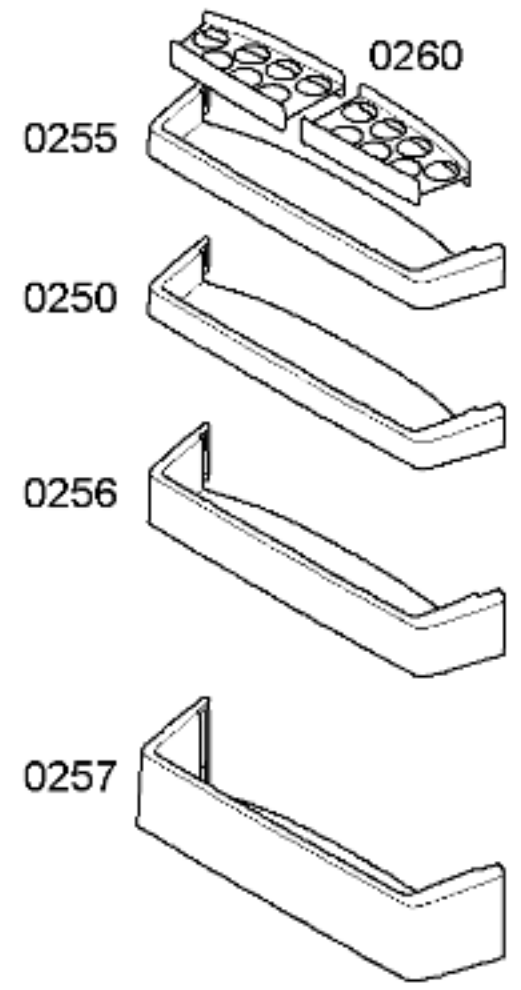
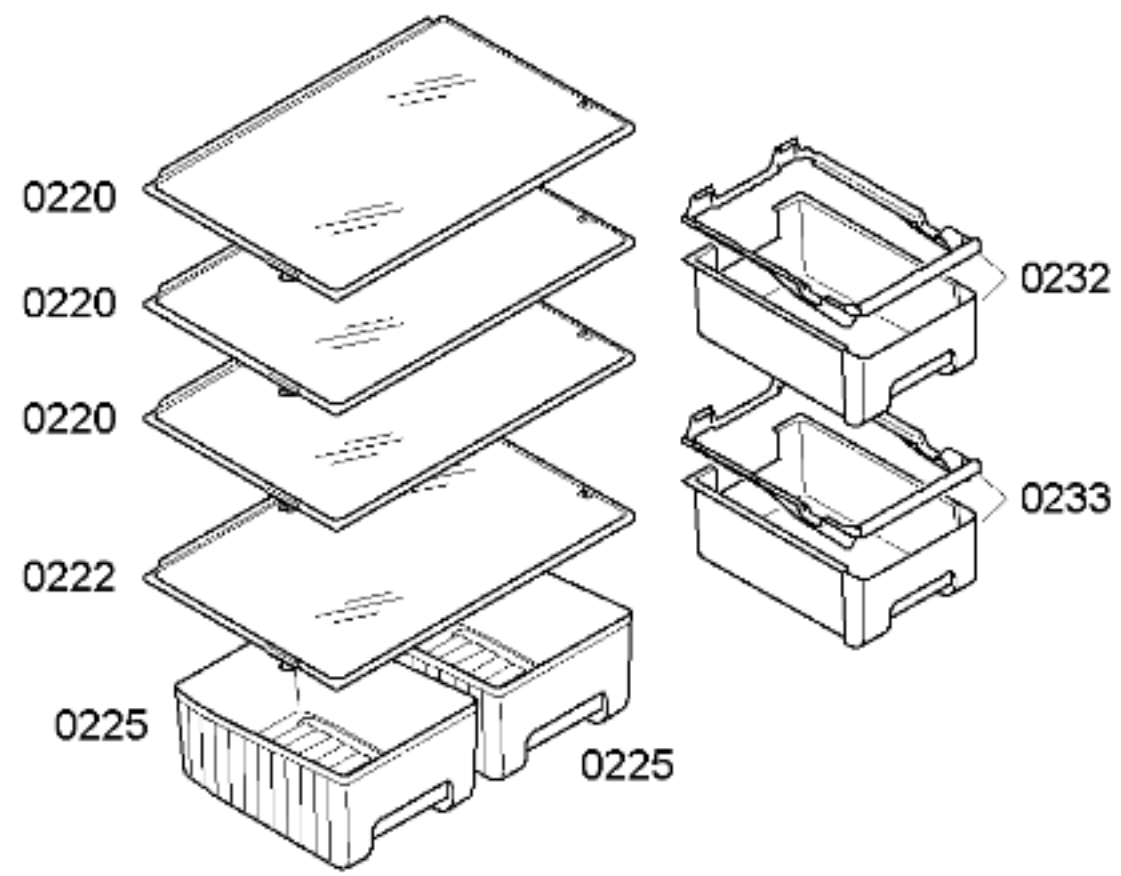
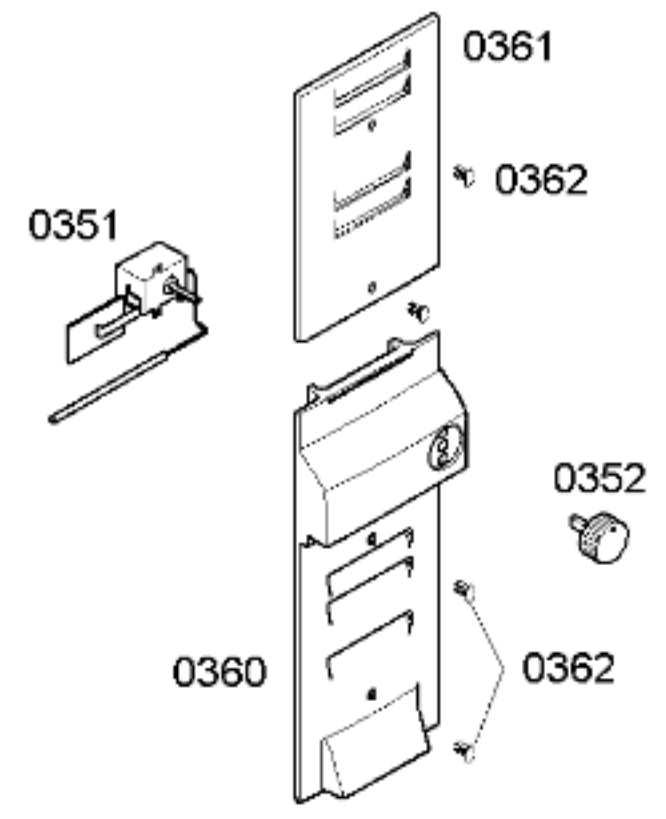
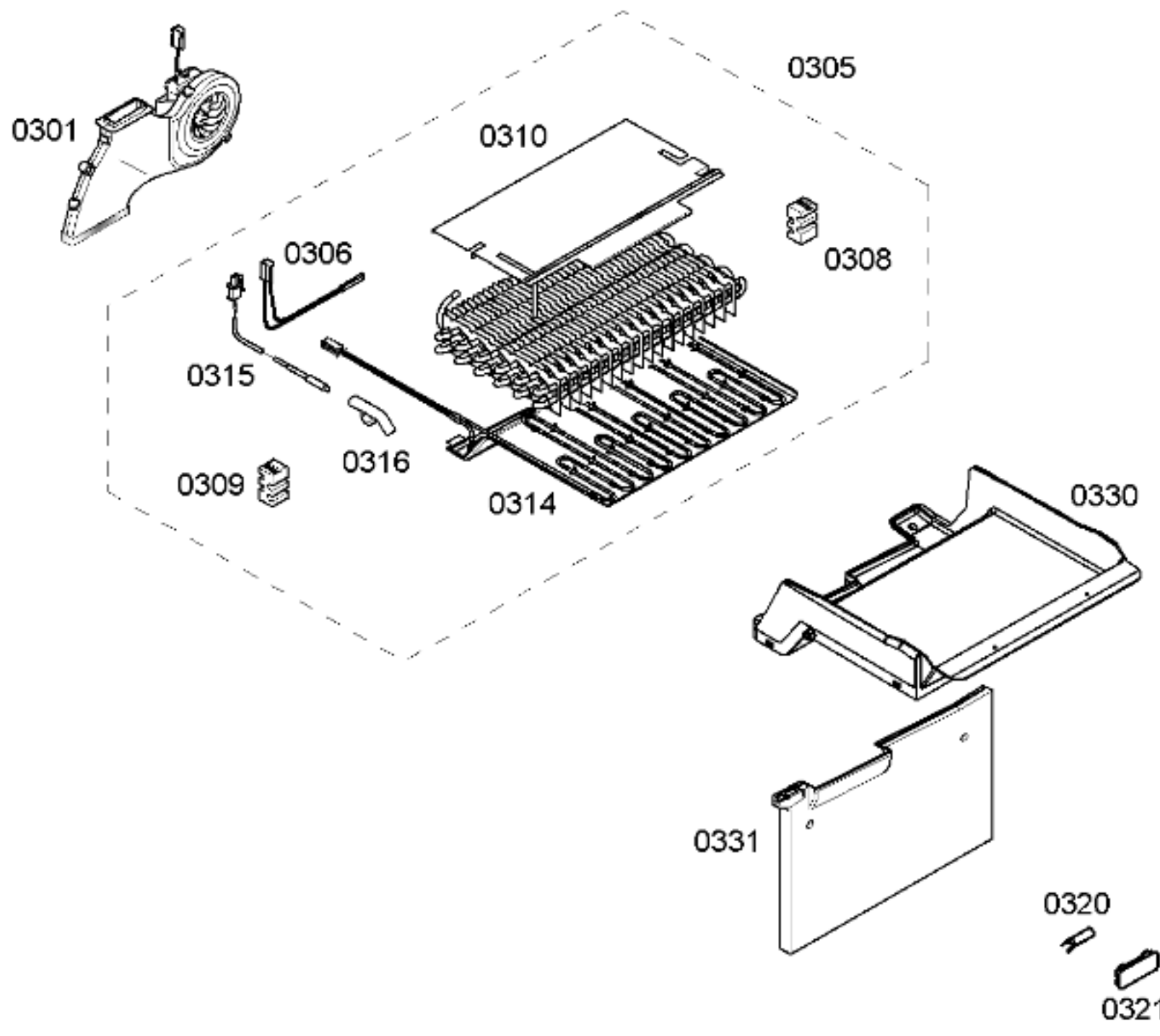


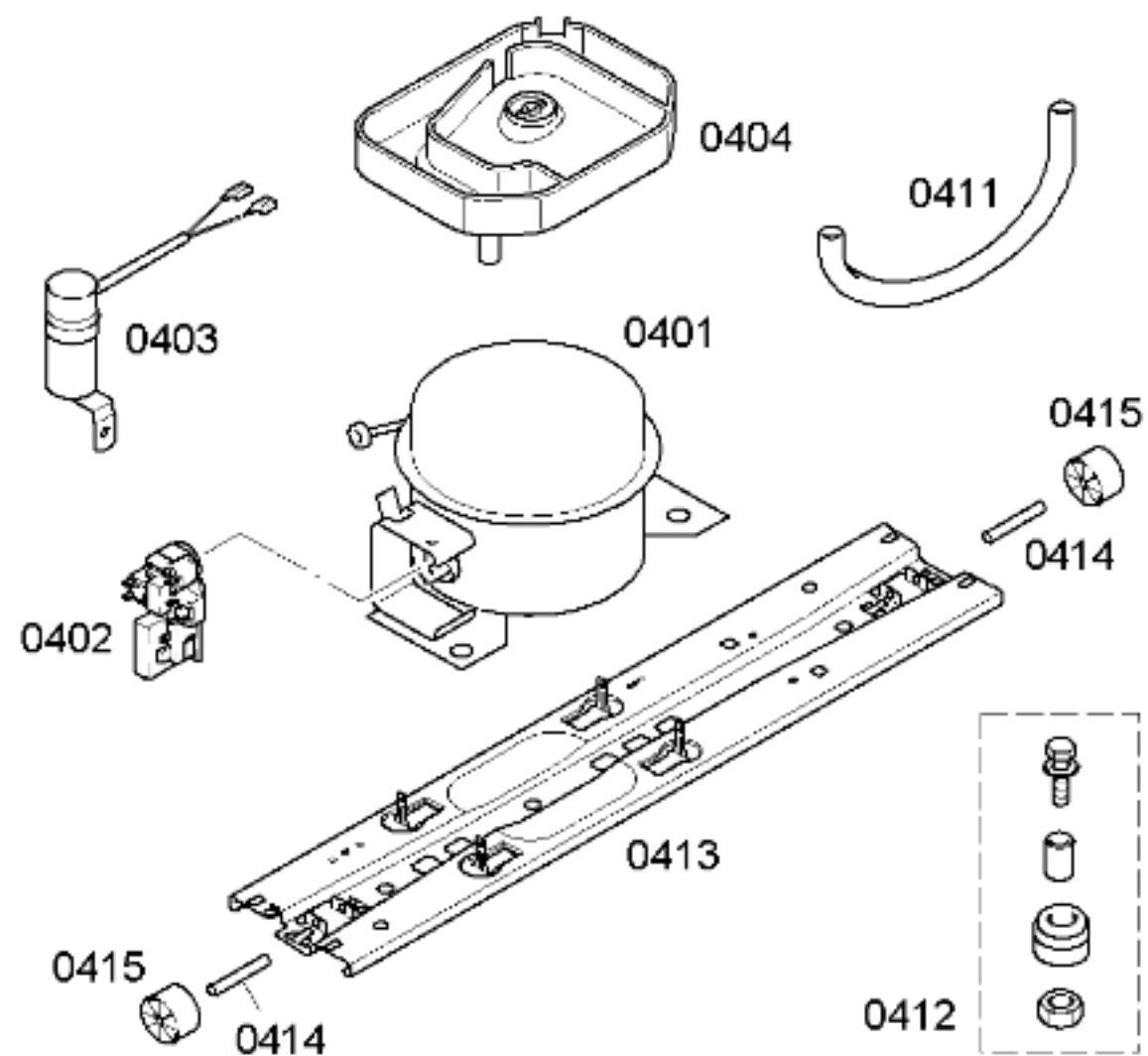
0199



0198







| TECHNISCHE DATEN / TECHNICAL DATA / DONNEES TECHNIQUES / DATOS TECNICOS | | | | | | |
|---|----------|------------|------------|------------|-----------|----------|
| Test conditions: CECOMAF (evap. temp. -25°C) | | | | | | |
| Verdichter/Compressor/Compresor | | Matsushita | Danfoss | Matsushita | Danfoss | Danfoss |
| Typ/Type/Tipo | | DG91E | NLX8.8KK.2 | DG100E | NLX10KK.2 | NLE11KTK |
| Anlaufkondensator/Runing capacitor/Condensador de marcha | | NO | YES | NO | YES | NO |
| Stromverbraucht/Current consumption/Int. consumo | A | 0,64 | 0,37 | 0,70 | 0,44 | 0,95 |
| Leistungsverbraucht/Power consumption/Potencia cons. | W | 95,00 | 76,00 | 109,00 | 89,50 | 123,00 |
| C.O.P. | WW | 1,20 | 1,49 | 1,20 | 1,49 | 1,03 |
| Kühlleistung/Cooling capacity/Potencia frigorífica | W | 114 | 113 | 131 | 133 | 127 |
| Füllmenge/Fill. quantity/Charge/Carga | R600a. g | * | * | * | * | * |

* Siehe Typenschild /See identification plate /Voir plaquette de caractéristiques /Ver plaqueta de características