

Electrolux

SPARE PARTS LIST
Water-Heaters
5601

Item	PNC	ELC	Brand	Model	Market
A	956001020	00	Electrolux	EWS15AEX-DW1	IDH
A	956001022	00	Electrolux	EWS30BEX-DW1	IDH

SAFETY WARNING

Always turn off and unplug the machine before detaching any parts.

When servicing machines, do not remove ANY detachable parts while the machine is powered. The reason is internal faults may cause shorts to components that are normally at low voltage presenting a shock hazard.

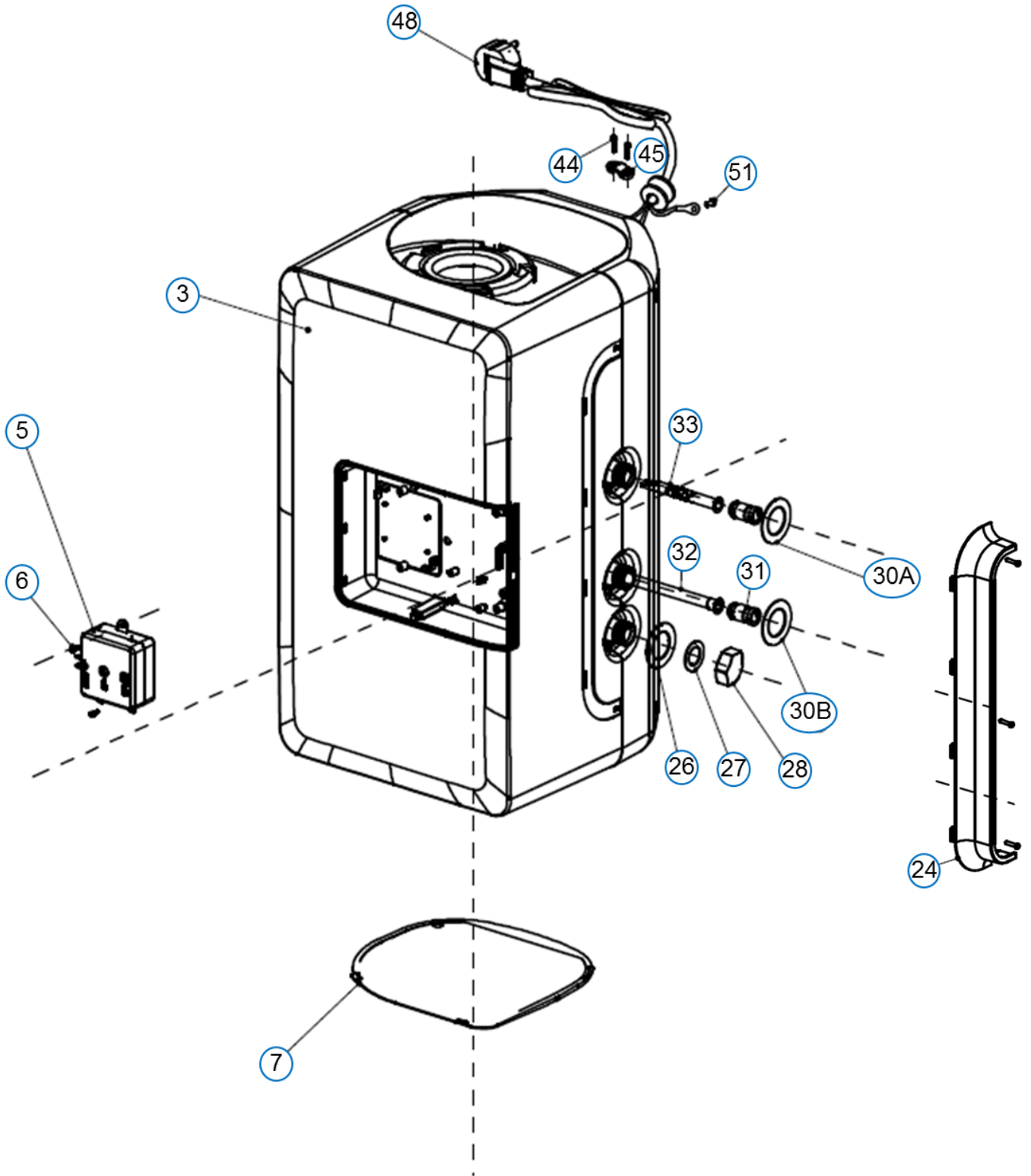
Water-Heaters

Electrolux Thailand Co.,Ltd.
1910 Electrolux Building
New Petchburi Rd. Bangkok
Huaykwang
Bangkok , 10310
Tel : +662 725 9000

Publication-No.
160921

Model :EWS15AEX-DW1
EWS30BEX-DW1

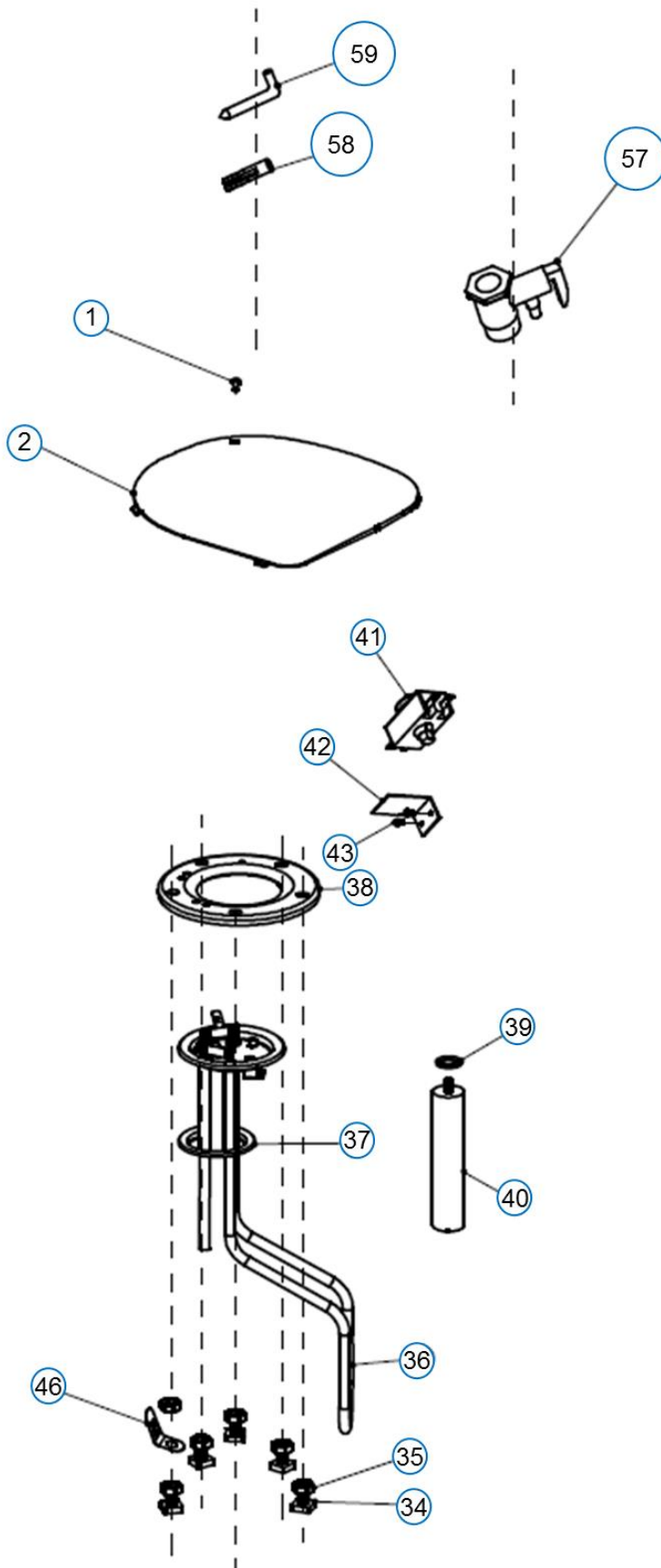
Ex. View Drawing
Body



Pos.	Part No.	Description	EWS15AEX-DW1	EWS30BEX-DW1
			PNC 956001020 00	PNC 956001022 00
3	1440401	Body 15L include packing	*	-
3	1450401	Body 30L include packing	-	*
5	46000820	Earth leakage circuit breaker	*	*
6	44001040	Spandrel flat- nose tapping screw	*	*
7	45001100	Left cover	*	*
24	45301130	Decorated board	*	*
26	45401980	Black hold up cover of SEV	*	*
27	45500130	Rubber gasket	*	*
28	41500050	Stoper for double tank	*	*
30A	45400320	Blue hold up cover of SEV	*	*
30B	45400330	Red hold up cover of SEV	*	*
31	45400610	SG15 plastic cover sleeve	*	*
32	41201170	Water outlet tube QQ15L	*	-
32	41201830	Water outlet tube QQ30	-	*
33	41200210	Cold water tube for SG15	*	*
44	45001040	Cross- shaped tapping screw	*	*
45	45400260	Wire nip	*	*
48	46000220	Power cable with VDE certification	*	*
51	44000420	Screw with washer	*	*

Model :EWS15AEX-DW1
EWS30BEX-DW1

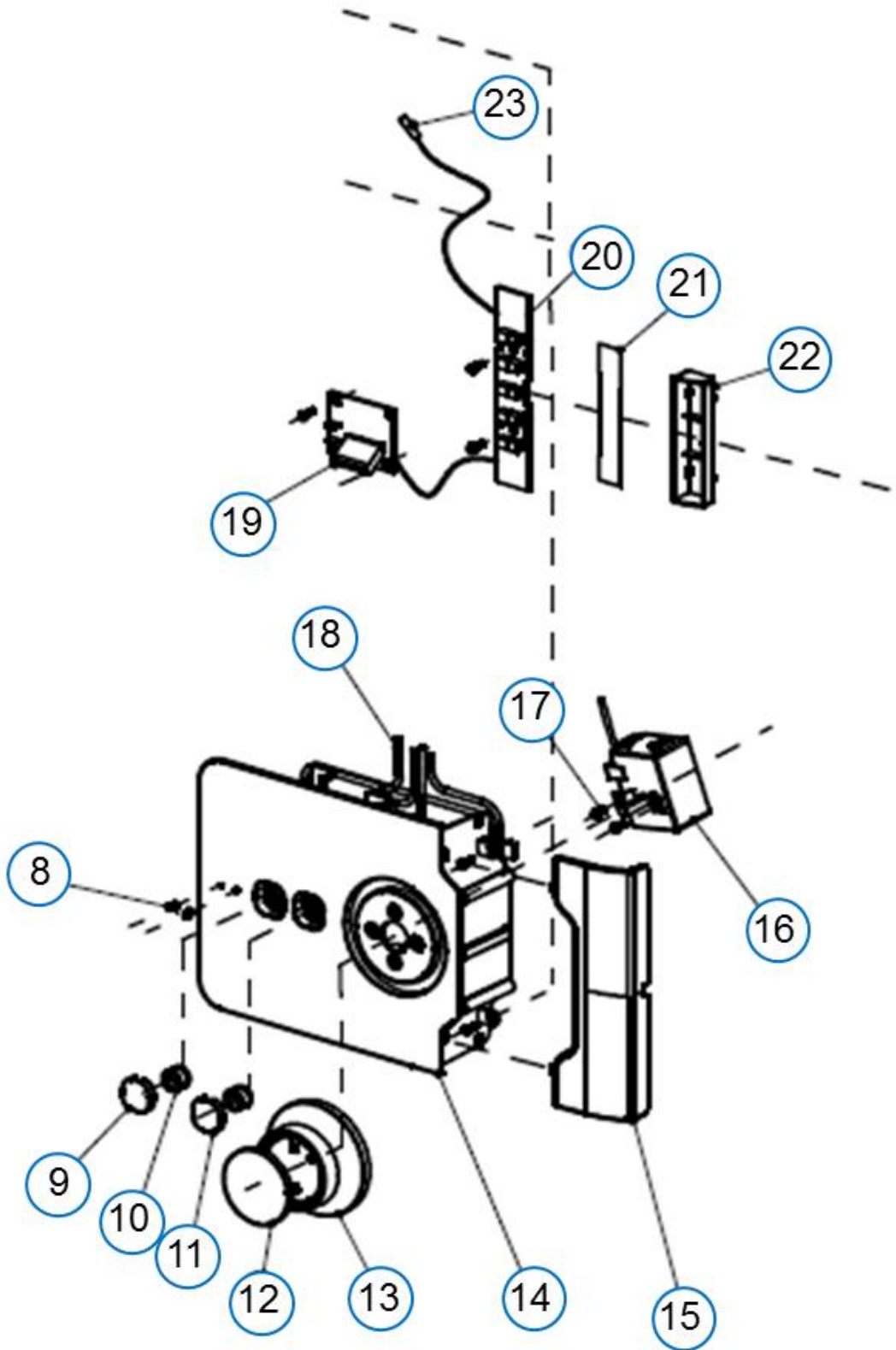
Ex. View Drawing
Heating element



Pos.	Part No.	Description	EWS15AEX-DW1 PNC 956001020 00	EWS30BEX-DW1 PNC 956001022 00
1	44001050	Spandrel courtersink tapping screw	*	*
2	45100174	Right cover	*	*
34	44000080	Prolate bolt	*	*
35	44000020	I shape hexagonal nut	*	*
36	46200056	Selectable enamel heating element 800w	*	-
36	46200057	Selectable enamel heating element 1300w	-	*
37	45500082	Single gasket	*	*
38	41100712	New Circle press flange of single tank	*	*
39	44100070	AntI- loosing washer	*	*
40	48200111	Magnesium anode	*	*
41	46300504	Thermal cut- out	*	*
42	45001040	C series support for thermal cut- out	*	*
43	44000220	Screw with washer	*	*
46	45400280	Small white ire nip	*	*
57	48000260	0.8 safety valve with handle	*	*
58	45401040	Plastic expansion bolt	*	*
59	44000630	Hung screw	*	*

Model :EWS15AEX-DW1
EWS30BEX-DW1

Ex. View Drawing
Control module



Pos.	Part No.	Description	EWS15AEX-DW1 PNC 956001020 00	EWS30BEX-DW1 PNC 956001022 00
8	45401940	Borrow pillar	*	*
9	45301090	Reset key	*	*
10	44100160	Key spring	*	*
11	45301100	Test key	*	*
12	45301120	Knob- cover	*	*
13	45301110	Knob	*	*
14	45001070	Control panel	*	*
15	45001080	Display panel	*	*
16	46300020	Thermostat	*	*
17	44000610	Cyathifron head bolt	*	*
18	46401130	Connector assembly	*	*
19	46501870	Power panel	*	*
20	46501860	Temperature displayelectron plate	*	*
21	45401950	Sended posted	*	*
22	45401930	Lamp- chimey	*	*
23	46501091	Thermostat sensor (YK)	*	*