

Electrolux

ELECTROLUX HOME PRODUCTS PTY LTD

ABN 51 004 762 341

Technical Publication N° CE1242

Issue: 1

Date: 7/18

WESTINGHOUSE

***ELECTRIC
UNDERBENCH OVENS***

MODEL

PNC

WVEP618S

94403169232

WVEP618W

94403169332

Maintenance Level Change Summary	
---	--

32	Clean heat element
-----------	--------------------

First Built Dates	
--------------------------	--

WVEP618S	6/18
WVEP618W	6/18

Contents

First Built Dates.....	2
FRONT FRAME ASSEMBLY.....	4
CHASSIS ASSEMBLY.....	5
OVEN ASSEMBLY.....	6
PANEL DECK ASSEMBLY.....	8
OVEN DOOR ASSEMBLY.....	10
CONTROL PANEL ASSEMBLY.....	11
INTERNAL PACK.....	12
CIRCUIT DIAGRAM.....	13

NOTE: In Parts Listings

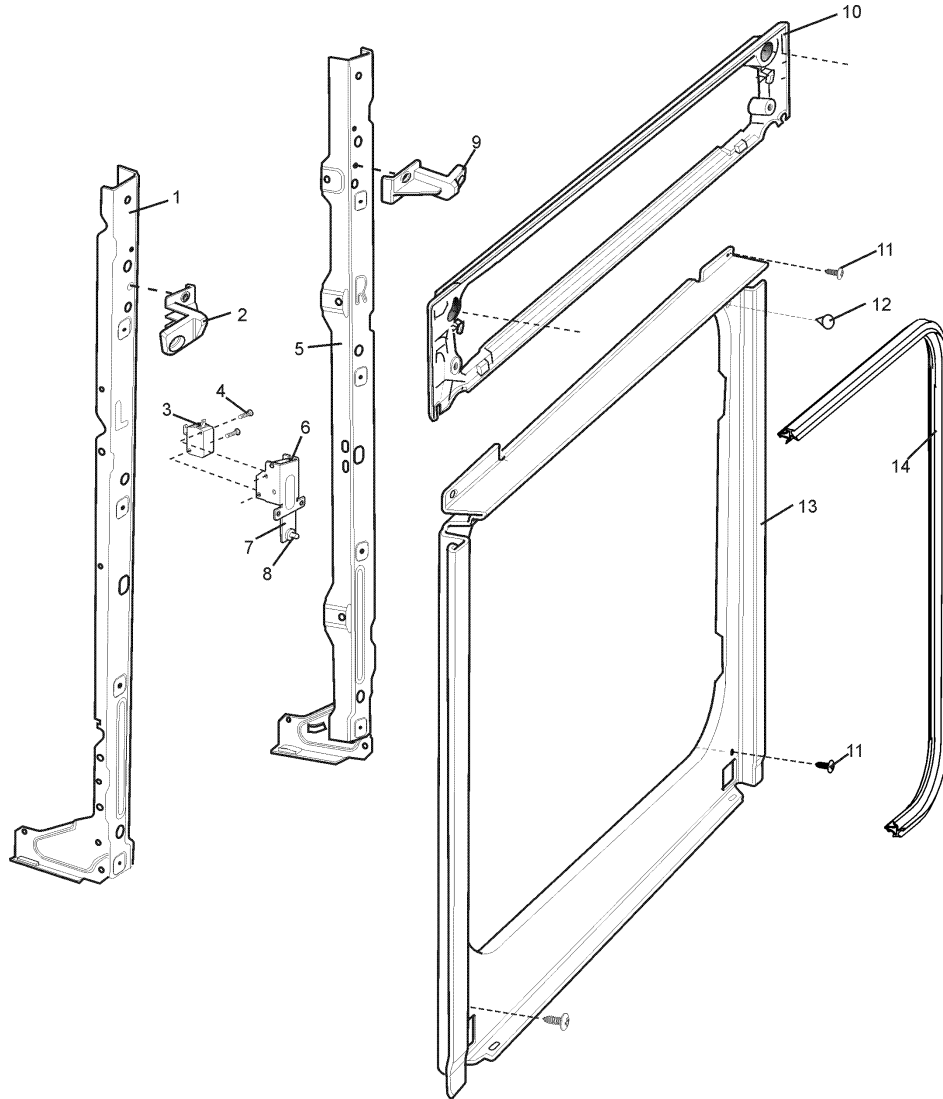
N.I. = Not Illustrated
N.P.A. = No Part Available
N.P.N. = Not Used on this Model

MODEL:

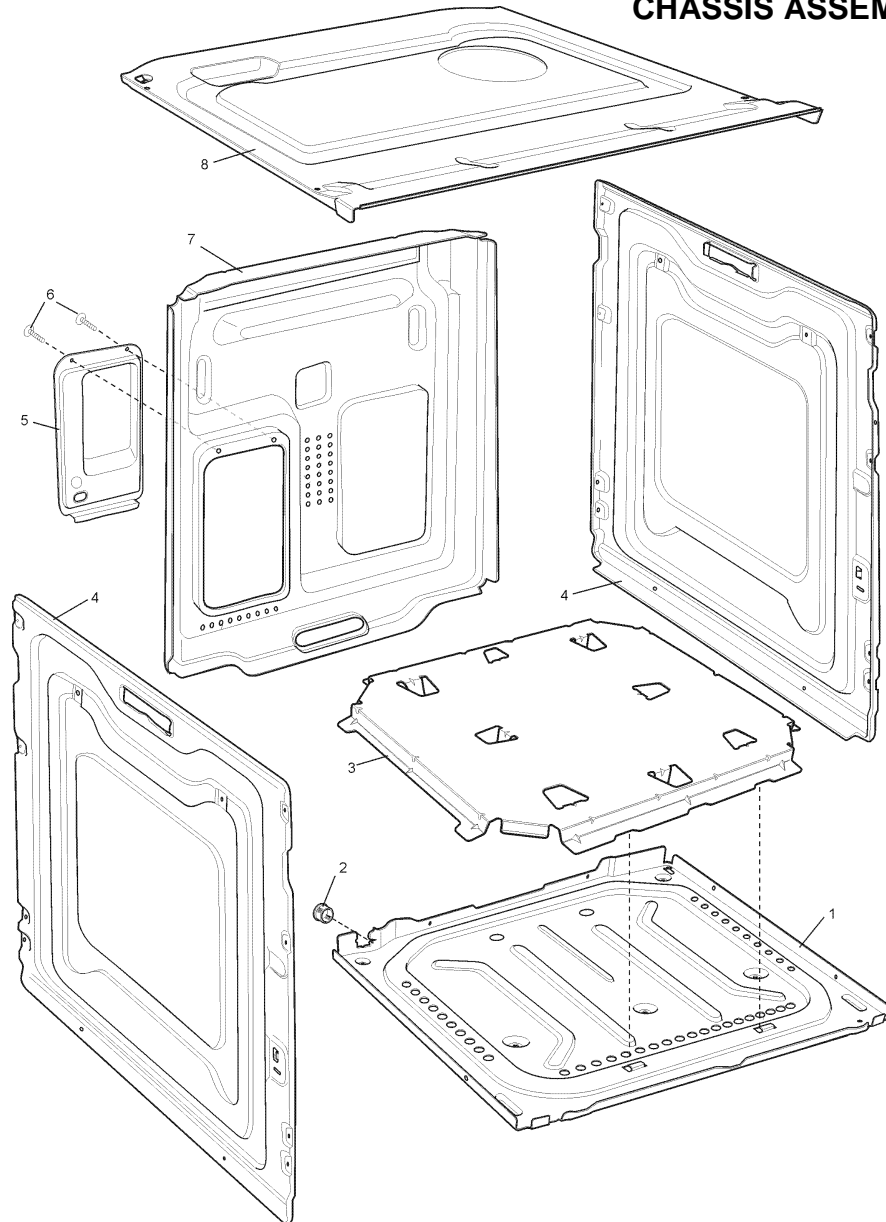
WVEP618S

WVEP618W

**EX. VIEW DRAWING 7714
FRONT FRAME ASSEMBLY**



ITEM	PART N°	DESCRIPTION Ex 7714	QTY
1	0048 004 839	CHANNEL FRONT NGP UB LH	1
2	A01347702	CAP MOUNT F/FRAME 40MM RUBY RH	1
3	315 7898 00	CHERRY-D41P-YGAA	1
4	0702 007 064	SCREW #4 X16 T25 W/HD PHIL#2	2
5	0048 004 840	CHANNEL FRONT NGP UB RH	1
6	0030 024 348	BRACKET DOOR SWITCH NGD	1
7	0534 001 745	SWITCH DOOR LIGHT MICRO LEVER	1
8	0469 001 002	PLUNGER DOOR SWITCH NGD	1
9	A01347701	CAP MOUNT F/FRAME 40MM RUBY LH	1
10	0545 002 971	TRIM SURROUND C/P 40MM NGP	1
11	0701 009 027	SCREW #8 X 1/2 MUSH #2PH AB BK	8
12	0589 001 032	BUMPER STOP BLACK OC98	2
13	0081 009 286	F/FRONT ENAM U/B 40MM NGP	1
14	0208 003 449	SEAL OVEN DOOR PYRO BIOS	1
N.I.	0030 024 405	BRACKET HINGE SUPT APOLLO	2

MODEL:**WVEP618S****WVEP618W****EX. VIEW DRAWING 5525
CHASSIS ASSEMBLY**

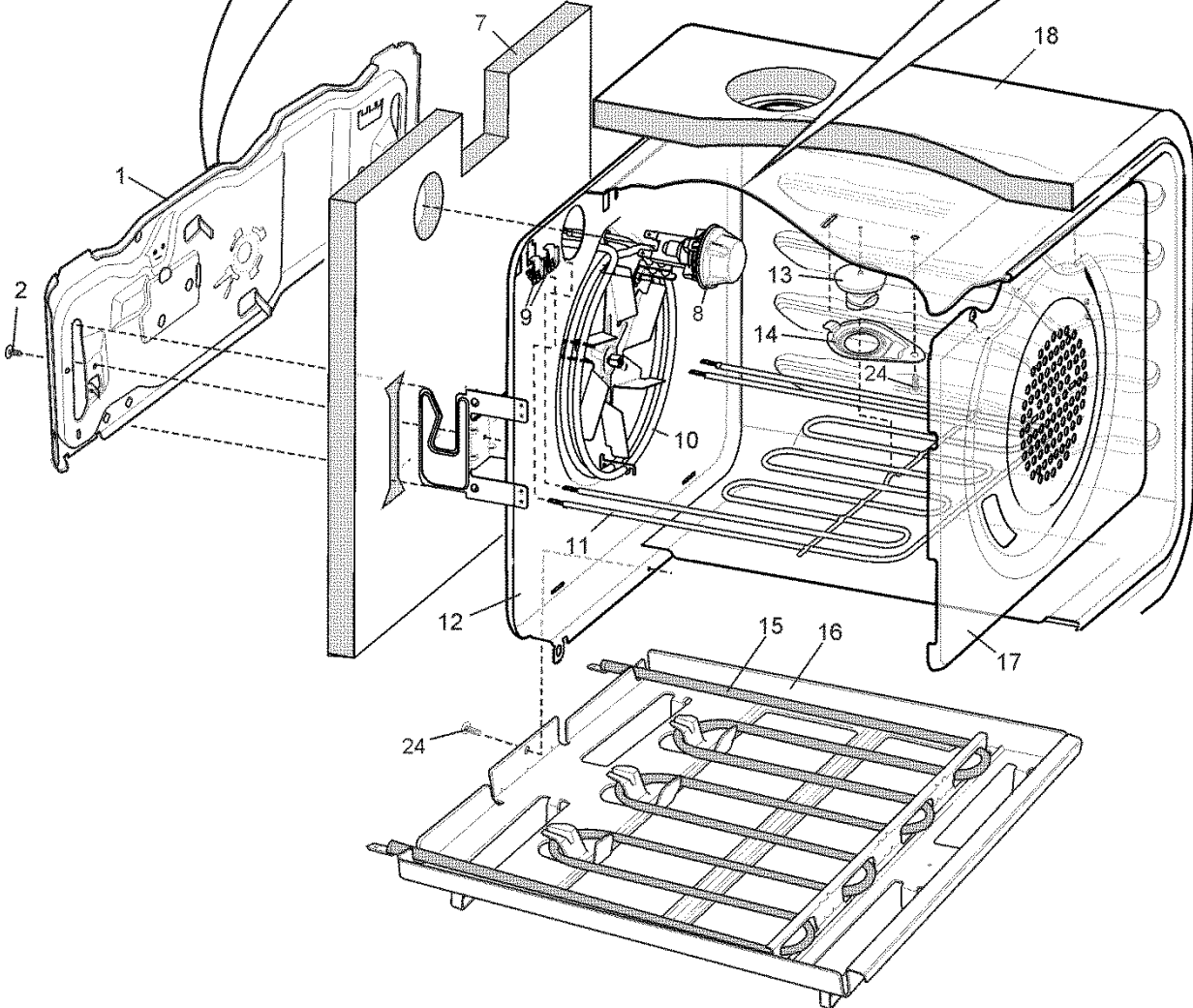
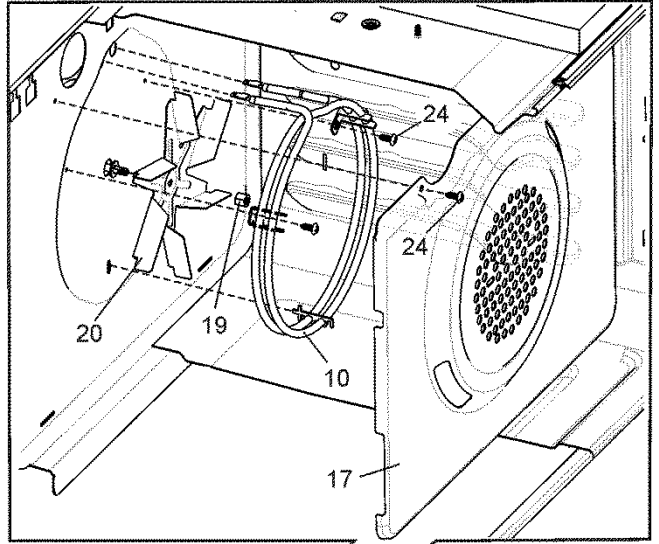
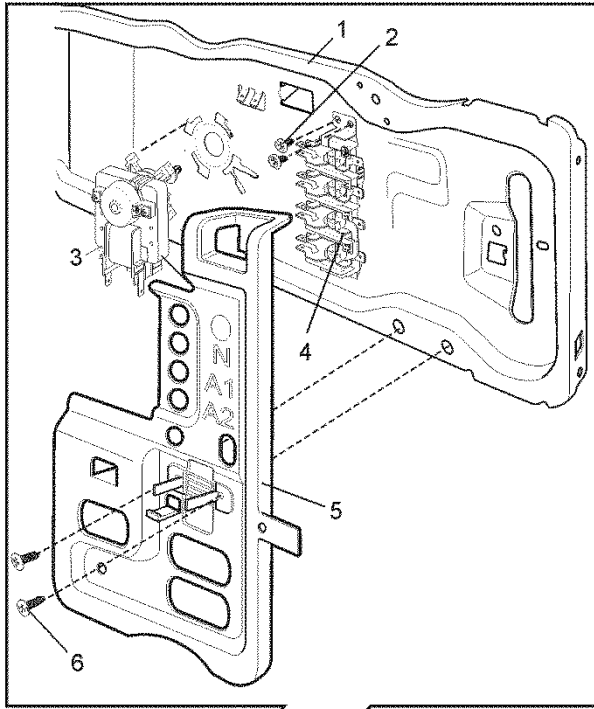
ITEM	PART N°	DESCRIPTION	Ex. 5525	QTY
1	0038 003 291	PANEL BASE BIOS		1
2	0049 001 206	PLUG DOME MDP16		1
3	0028 025 404	COVER BASE PANEL SHIELD BIOS		1
4	0038 006 866	PANEL SIDE UB NGD LH		1
	0038 006 865	PANEL SIDE UB NGD RH		1
5	0022 041 136	PLATE CVR TERM ELEC BIOS		1
6	0701 009 033	SCREW #8 X 8MM HEX/MULTI		X
7	0038 008 163	PANEL COVER WIRE UB BIOS		1
8	0038 005 658	PANEL TOP NGP		1
N.I.	561 1671 20	HOUSING CENTRING HELP		6

MODEL:

WVEP618S

WVEP618W

EX. VIEW DRAWING 7888
OVEN ASSEMBLY



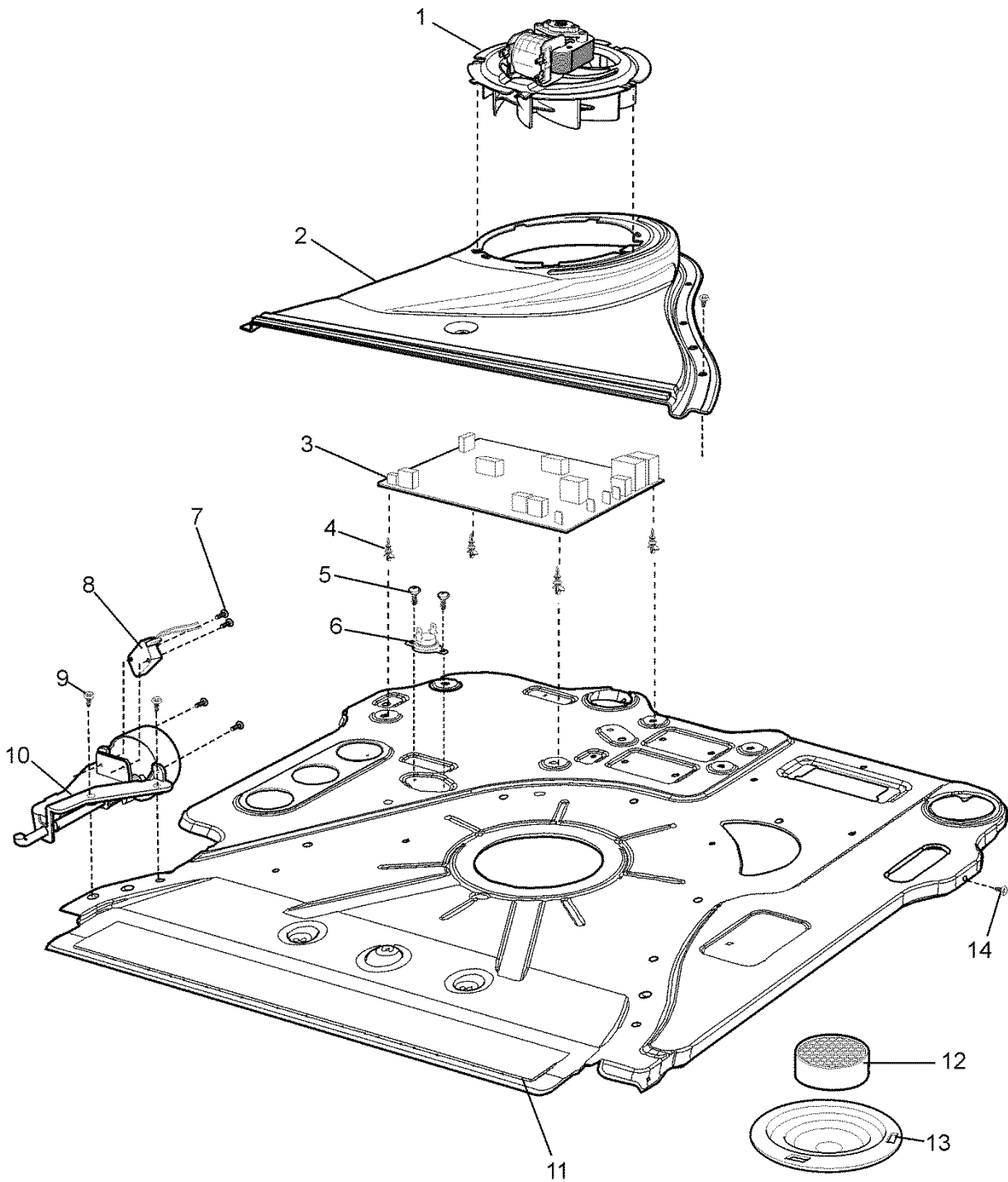
ITEM	PART N°	DESCRIPTION Ex 7888	QTY
1	0489 001 174	BRACE OVEN REAR B/I BIOS	1
2	0701 009 033	SCREW #8 X 8MM HEX/MULTI	2
3	0214 002 118	MOTOR FAN OVEN - BIOS	1
4	0003 012 590	BAR CONNECTOR W/EARTH BIOS	1
5	0349 001 376	SHIELD WIRING TERMINAL BIOS	1
6	0701 002 133	SCREW #6 4.2X28 HILO PAN	X
7	0374 005 282	INSULATION OVEN BACK PYRO BIOS	1
8	387 9376 91	HOLDER LAMP REAR PYRO BIOS	1
	ES6023	LAMP G9 PYRO 240V 25W (PT OF ITEM 8)	1
9	0125 008 409	CLIP ELEMENT MOUNT OC98/UC20	4
10	0122 004 574	ELEMENT FAN RING EGO	1
11	0122 004 573	ELEMENT G/BOOST 3000W - PYRO	1
12	N.P.A.	OVEN ENAM	1
13	0046 001 029	LATCH ELEMENT SUPPORT SINTERED	1
14	0028 025 403	COVER RETAINING LATCH	1
15	A12362701	ELEMENT BASE 1000W E100 (NOT AS ILLUSTRATED)	1
16	A06196202	COVER CLEAN HEAT	1
17	0038 016 777	PANEL FAN COVER ELEC ENAM BIOS	1
18	0374 005 303	INSULATION OVEN WRAP PYRO NGP	1
19	0065 009 265	NUT M6 L/H FAN MOTOR	1
20	0026 001 042	FAN IMPELLER OVEN BIOS	1
24	0701 009 051	SCREW #8 X 1/2 MUSH #2PH AB BK	3
N.I.	0374 005 304	INSULATN INSERT BACK PYRO BIOS	1

MODEL:

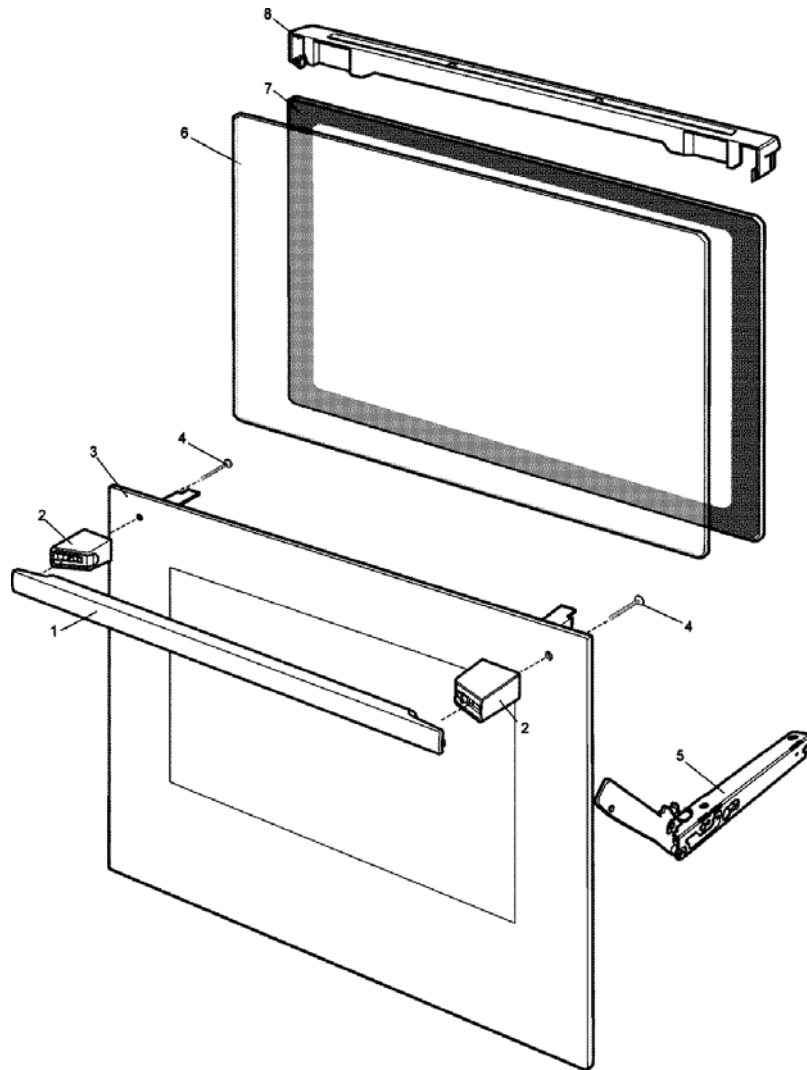
WVEP618S

WVEP618W

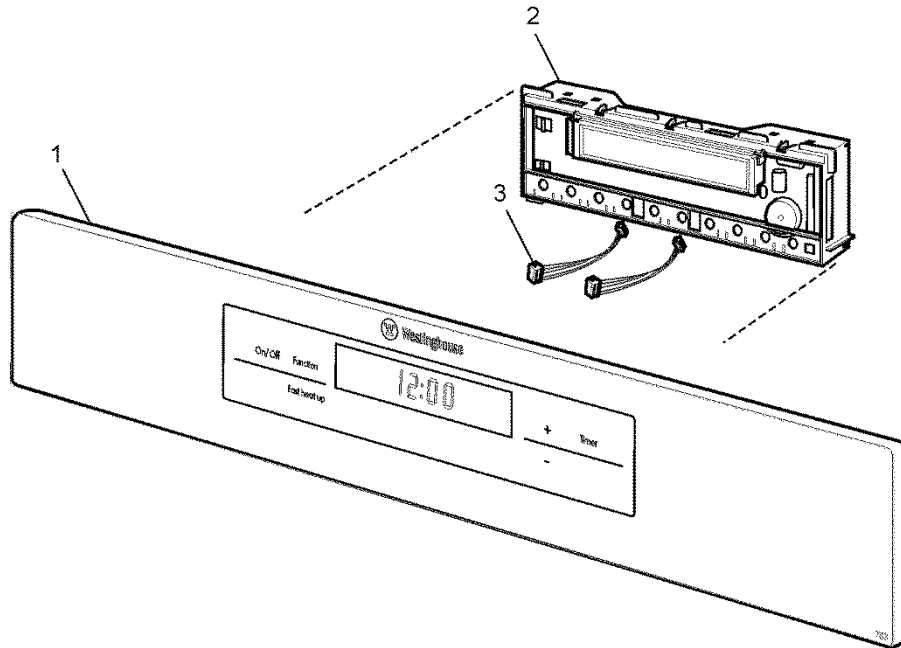
EX. VIEW DRAWING 8154
PANEL DECK ASSEMBLY



ITEM	PART N°	DESCRIPTION Ex 8154	QTY
1	808767901	COOLING FAN MOTOR ASSEMBLY	1
2	0559 001 118	DUCT PLATE TOP PYRO NGP	1
3	387 8401 06	POWERBOARD OVC 3000 - EOS	1
4	0627 001 002	CLIP POWERBOARD STANDOFF	4
5	0701 002 113	SCREW #6 X 9.5 PAN PHIL ZC	2
6	0541 001 269	THERMAL CUTOUT 120D (16A 250V) KLIXON	1
7	0702 007 064	SCREW #4 X16 T25 PH PHIL#2	2
8	387 8011 00	MICROSWITCH CHERRY (PART OF ITEM 10)	1
9	0702 007 064	SCREW #4 X16 T25 PH PHIL#2	2
10	0478 001 004	LOCK DOOR ASSY CAST PYRO NGP (INC ITEM 8)	1
11	0559 001 128	DUCT PLATE MID PYRO UB NGP	1
12	337 0874	CATALYSER	1
13	0125 008 407	RETAINER PYRO CATALYSE NGP	1
14	0701 009 033	SCREW #8 X 8MM HEX/MULTI	X
N.I.	389 0818 01	TEMPERATURE SENSOR PT500	1
N.I.	0173 100 437	SENSOR CABLE - 500MM	1
N.I.	0030 024 212	BRACKET KRONOS PROBE MOUNT BIO	1
N.I.	0559 001 120	DUCT PLATE BOTTOM PYRO NGP	1
N.I.	0173 100 467	HARNESS K2 INTERFACE 783/883	1
N.I.	0173 100 622	WIRE HARNESS NGP DOOR SW	1
N.I.	809202701	HARNESS ADAPTOR DOOR LOCK OVC3	1

MODEL:**WVEP618S****WVEP618W****EX. VIEW DRAWING 8051
OVEN DOOR ASSEMBLY**

ITEM	PART N°	DESCRIPTION Ex 8051	S	W
1	0050 010 810	HANDLE DOOR PY WEST ANOD FORTE	1	1
2	0160 003 660	STAND-OFF BLK PYRO WEST FORTE	2	
	0160 003 660	STAND-OFF BLK PYRO WEST FORTE		2
3	0038 002 936	PNL OV DR OUT AS WEST SS FORTE	1	
	0038 002 937	PNL OV DR OUT AS WEST WH FORTE		1
4	809058301	SCREW M4 X 25 PAN MTS PHIL BLK	2	2
5	A00485608	HINGE 40MM 4 LAYER NGP	2	2
6	0255 004 052	GLASS OVEN DOOR MID PYRO NGP	2	2
7	0255 004 051	GLASS OVEN DOOR IN PYRO NGP	1	1
8	0545 002 936	TRIM VENT DOOR ASSY NGP UB	1	1
N.I.	0150 005 271	SCREW M4X5 HEX1/4" PH2 BLK ZP	4	4
N.I.	0271 001 373	SPACER RUBBER GLASS NGP	2	2

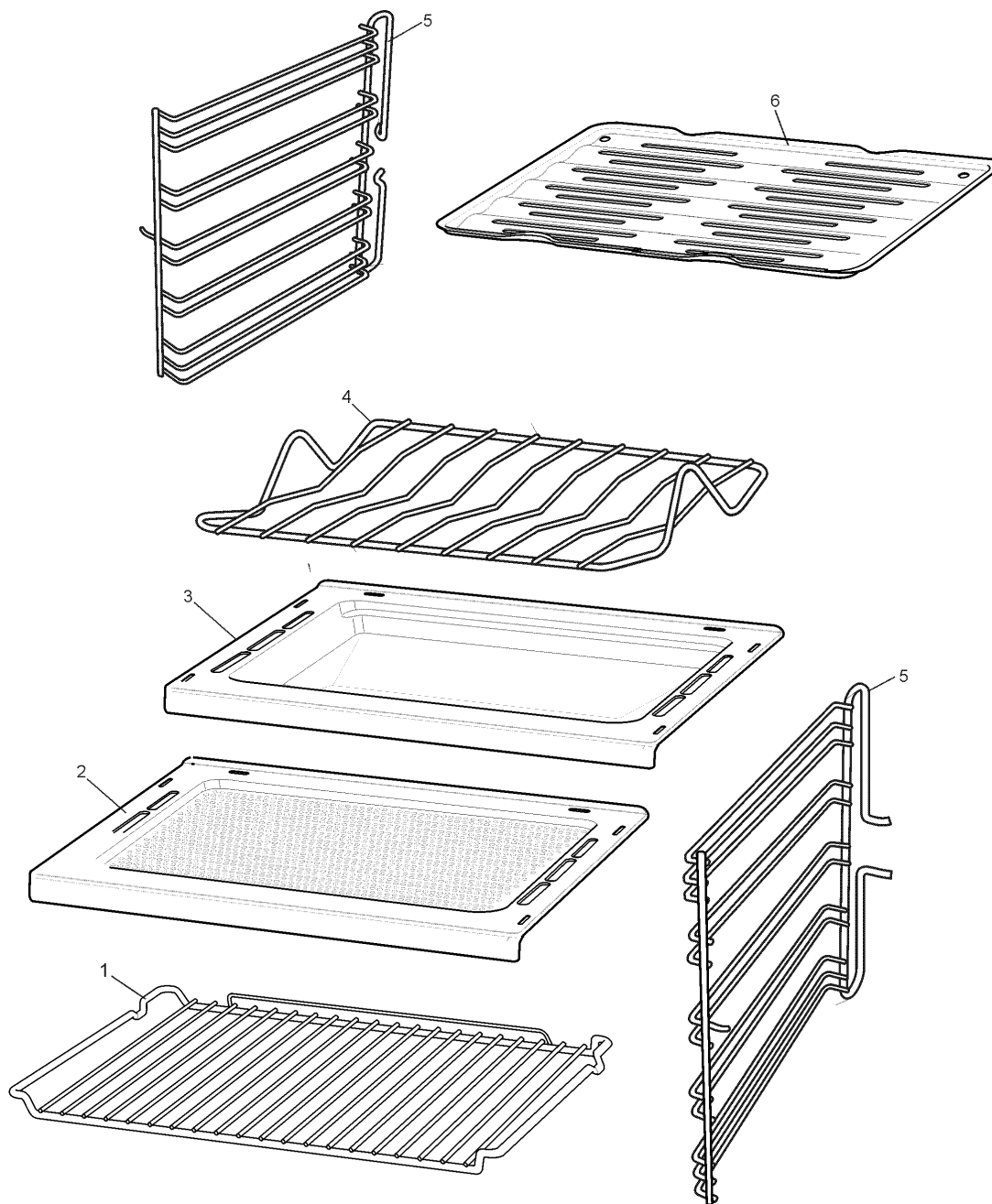


ITEM	PART N°	DESCRIPTION Ex 6600	S	W
1	0609 100 412	KIT PANEL CONTROL WVE618S (INC TOUCH CONTRLOL)	1	
	0609 100 413	KIT PANEL CONTROL WVE618W (INC TOUCH CONTRLOL)		1
2	561 6236 22	CONTROLLER KRONOS2 UPDATE PROG	1	1
3	0173 100 274	WIRE HARNESS TOUCH CTRL KRONOS	2	2
N.I.	N.P.A.	KRONOS 2+ TOUCH PRINT (PART OF ITEM 1)	1	1

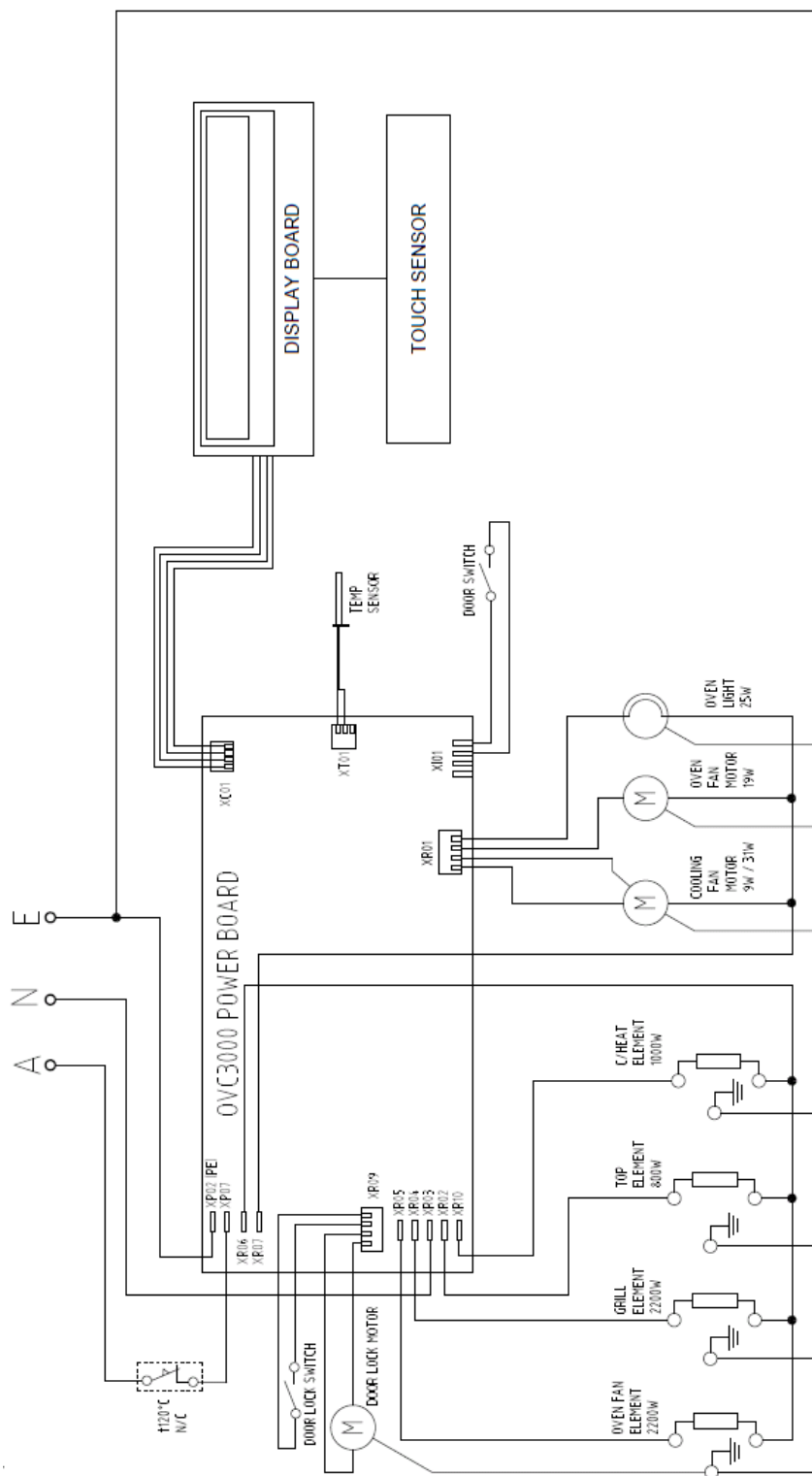
MODEL:

WVEP618S

WVEP618W

EX. VIEW DRAWING 7740
INTERNAL PACK

ITEM	PART N°	DESCRIPTION Ex 7740	QTY
1	*0327 001 292	RACK SHELF OVEN ELUX EVOLVE	2
2	0037 004 039	TRAY BAKING PREMIUM ENAM BIOS	1
3	0036 001 103	DISH GRILL ENAM F/WIDTH BIOS	1
4	*0327 001 318	RACK INSERT ROASTING WIRE	1
5	*0327 001 319	RACK SIDE SUPPORT OVEN EVOLVE	2
6	0028 025 393	COVER GR DISH ENAM S/LESS BIOS	1
N.I.	0701 003 070	SCREW #6 X 25 CSK (INSTALL)	2
N.I.	0701 003 073	SCREW #8 X 5/8 CSK #2PH AB BK	2
N.I.	0701 002 133	SCREW #8 4.2 X 28 HILO PAN PH	2
NOTE * 0327 001 313 RACK PACK 292/319/318 EVOLVE INC ITEM 1, 4 & 5			



WARNING

IT IS ILLEGAL FOR PERSONS OTHER THAN LICENSED ELECTRICAL MECHANICS OR PERSONS AUTHORIZED BY LEGISLATION TO WORK ON THE FIXED WIRING OF ANY ELECTRICAL INSTALLATION. PENALTIES FOR CONVICTION ARE SEVERE.

IMPORTANT SAFETY NOTICE

This diagram has been prepared for use by electrically qualified service technicians. Electrolux cannot be held responsible for the interpretation of its service publications nor for any injury or damage that may occur in connection with their use.