



Electrolux

SPARE PARTS LIST
Electric Instant Water Heater
5610

Item	PNC	ELC	Brand	Model	Market
A	956005336	00	Electrolux	EWE361KX-DWX1	MYH

SAFETY WARNING

Always turn off and unplug MYH machine before detaching any parts.

When servicing machines, do not remove ANY detachable parts while MYH machine is powered. MYH reason is internal faults may cause shorts to components that are normally at low voltage presenting a shock hazard.

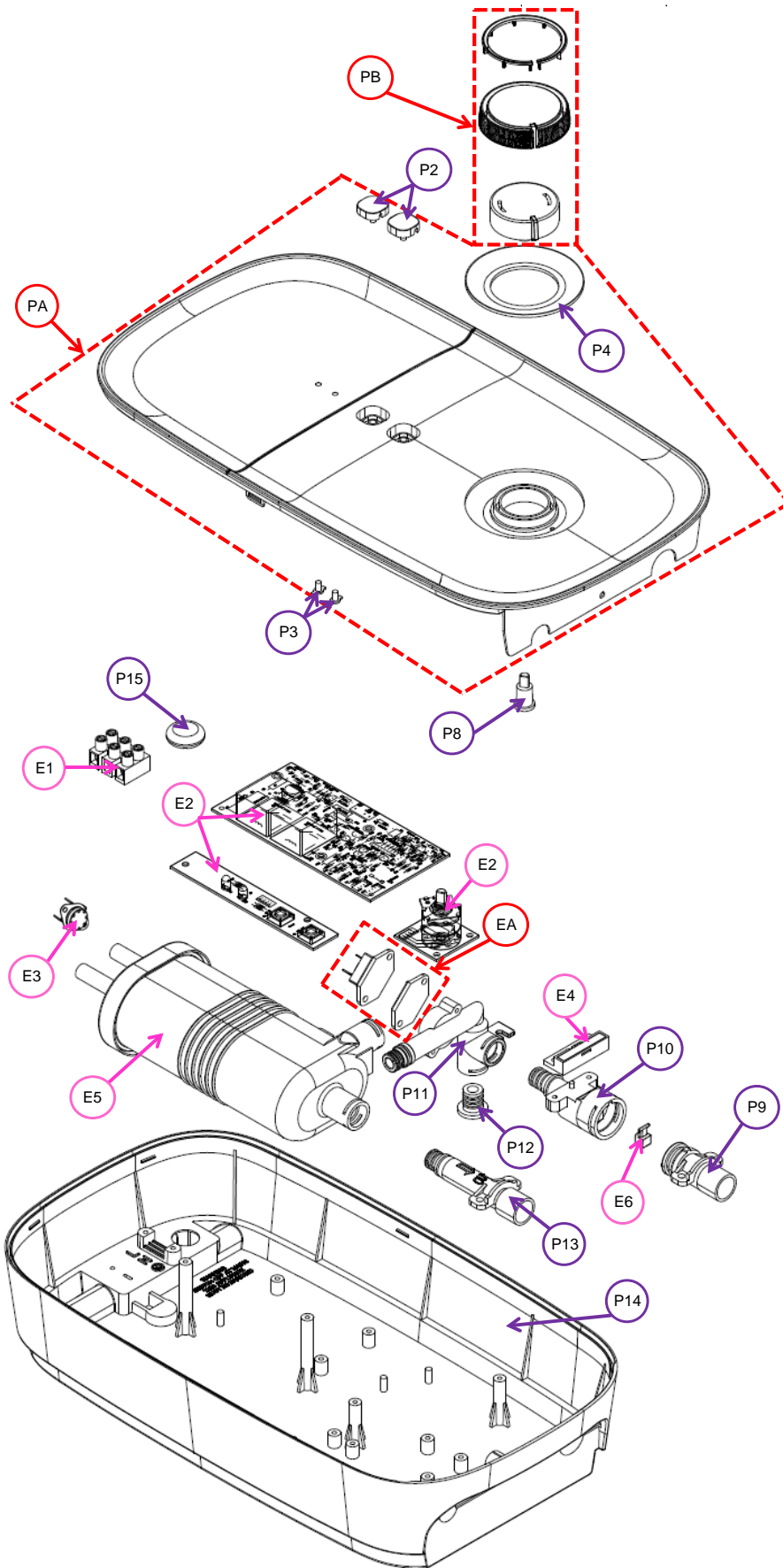
Electric Instant
Water Heater

Electrolux Thailand Co.,Ltd.
1910 Electrolux Building
New Petchburi Rd.
Bangkapi
Huaykwang
Bangkok , 10310
Tel : +662 725 9000

Publication-No.
190816

Model : EWE361KX-DWX1
 PNC : 956005336

Ex. View Drawing



A1
 RAIN SHOWER COMPLETE SET (EWE)



A2
 SELECTOR VALVE RP-21 EWE



A3
 RAIN SHOWER HEAD RB-98C/W EWE CHROME/ GREY (ANTI-BACTERIAL)



A4
 SHOWER HEAD R-505C/W EWE CHROME/ GREY (ANTI-BACTERIAL)



A5
 FILTER VALVE 3 IN 1-WH (P) DOME (PLASTIC SHAFT) DOME MESH FILTER-RDL (REV2))



A6
 1.5M PVC HOSE WITH SILVER STRIPE (EWE) + WASHER (RAIN)



A7
 1.0M PVC HOSE WITH SILVER STRIPE (EWE) + WASHER (RAIN)

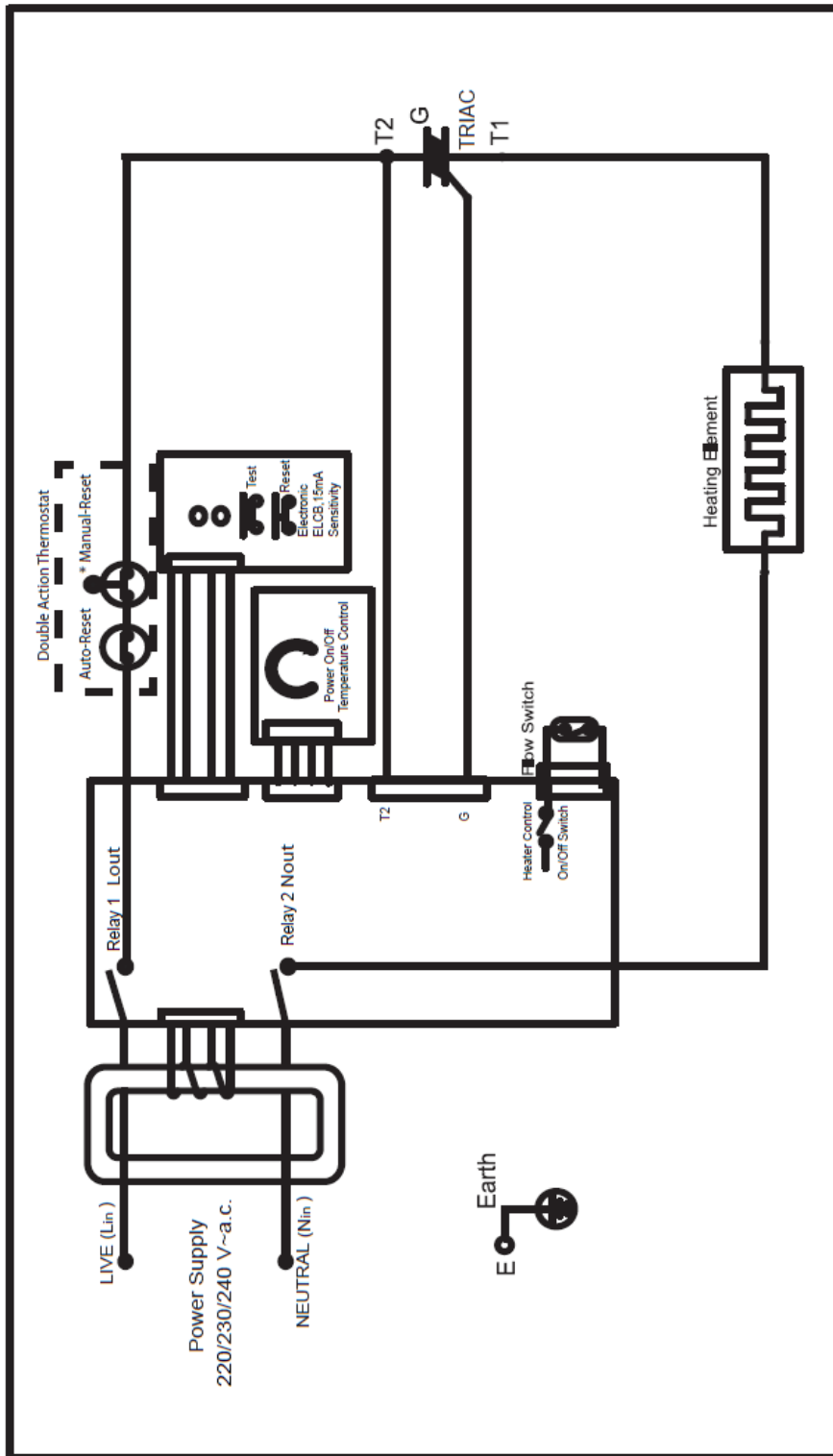
Item	PNC	ELC	Brand	Model	Market
A	956005336	00	Electrolux	EWE361KX-DWX1	MYH

Pos.	Part No.	Description
E1	5TBK--001CM---B0	TERMINAL BLOCK (TLB--300W) PA-12
E2	5PCAME178ELCA-J1	MICRO CONTROLLER BOARD-ASSY ME III NP (EWE) DPDT MEIDU (FULL SET) (NEW FARA) (REV1)
E3	5THMCM026CM---C0	ATT BIMETAL THERMOSTAT(AL)S102CT 2CH16-RV1-DD-MR, 55C AUTO, 90C MANUAL
E4	5RSACM026CM---A0	REED SWITCH ASSY (COMMON) PS-0135-601 (FOR ALLURE II, AURORA, SLIM, MR7)
E5	6HTKHT144CM-NAA0	HEATER ELEMENT-TANK 3855-ASY 240V-3.6KW NATURAL - VBC
E6	4FSACM005CM---F0	FLIP START MAGNET ASS'Y (COMMON)
EA	5TRA--001CM-QCB0	TRIAC (TG25C60) ASSY
PA	1PCAE3001EL-WHC0	PLASTIC COVER - ALLURE III (NP) (ELECTROLUX) HIGH GLOSS WHITE
P2	1PKEE2006EL-WHC0	PLASTIC KNOB- ELCB ALLURE II HIGH GLOSS WHITE PER SET
P3	1LDPRF002EL-TPF0	LED PLUG TRANSPARENT- MR7EX
P4	1FPLE3001EL-WHC0	FACE PANEL- ALLURE III (EWE) HIGH GLOSS WHITE
PB	1PTAE3001EL-GYC0	PLASTIC KNOB-TEMPERATURE ASSY ALLURE III GREY
P8	3VKICM006CM-WHC0	PLASTIC KNOB-VR-KNOB INSERT-U2 COMMON WHITE
P9	3IPLME004CM---C0	INLET PIPE LOWER - ME
P10	3IPUME007CM---C0	INLET PIPE UPPER LONG - ME
P11	3ELCME006CM-NTC0	ELBOW CONNECTOR COVER (ME III) NATURAL
P12	3ELPME009CM-NTC0	ELBOW CONNECTOR PIPE (ME III) NATURAL (SHORT)
P13	3OTPME005CM-NTC0	OUTLET PLASTIC PIPE (ME) NATURAL
P14	3HBAME070CM-WHC0	PLASTIC BASE ASSY ALLURE III NP WHITE
P15	3GMTCM003CM-BK-0	GROMMET (BLACK) 23(OD)x6(ID)x8(H)mm (COMMON) EXCEPT - US/ TS1/ OB

Item	PNC	ELC	Brand	Model	Market
A	956005336	00	Electrolux	EWE361KX-DWX1	MYH

Pos.	Part No.	Description
A1	2RSHCM008EL----3	RAIN SHOWER COMPLETE SET(EWE) ANTI BACTERIAL (REV3) SUS 304
A2	2ARVCM002EL----0	SELECTOR VALVE RP-21 EWE
A3	2ACRCM002EL-CH-0	RAIN SHOWER HEAD RB-98C/W EWE CHROME/ GREY (ANTI-BACTERIAL)
A4	2ACHCM014EL-CH-0	SHOWER HEAD R-505C/W EWE CHROME/ GREY (ANTI-BACTERIAL)
A5	2ACVCM018CM-WHC2	FILTER VALVE 3 IN 1-WH (P) DOME (PLASTIC SHAFT)DOME MESH FILTER-RDL (REV2)
A6	2ACPCM008EL-SL-0	1.5M PVC HOSE WITH SILVER STRIPE (EWE) + WASHER (RAIN SHOWER)
A7	2ACPCM009EL-SL-0	1.0M PVC HOSE WITH SILVER STRIPE (EWE) + WASHER (RAIN SHOWER)
	1SPRE2018CM---F0	SPRING-E2 (0.70T X ID9.4 X14L)
	7CLPCM004CM---A0	E-RINGS ETW - 2.5 NP
	5WIRME216EL---A0	WIRE HARNESS-ME III NP DPDT (2.4,3.5,3.6 KW) - ALLURE III/AURORAI
	7ORGCM002CM---A0	O.RING ID9.0MM X CS2MM (COMMON)
	7ORGCM003CM---A0	O.RING ID16MM X CS2MM (COMMON)
	7ORGCM026CM-BKA0	O-RING ID33MM X CS2.0MM NBR 70SHORE (BLACK) DISOREQ
	7ORGCM031CM-BKA0	O-RING ID3.0MM X CS1.5MM 70SHORE (BLACK) DISOREQ
	7ORGCM032CM-BKA0	O-RING ID17.12MM X CS2.62MM NBR 70SHORE (BLACK) DISOREQ
	7CLPCM002CM----0	PIPE CLIP 17.5
	7CLPCM001CM----0	PIPE CLIP
	3GMTCM003CM-BK-0	GROMMET (BLACK) 23(OD)x6(ID)x8(H)mm (COMMON) EXCEPT - US/ TS1/ OB

WIRING DIAGRAM -WITH ELCB, NO PUMP DPDT MODEL



SAFETY WARNING

Always turn off and unplug MYH machine before detaching any parts.

When servicing machines, do not remove ANY detachable parts while MYH machine is powered. MYH reason is internal faults may cause shorts to components that are normally at low voltage presenting a shock hazard.