



Electrolux

ELECTROLUX HOME PRODUCTS PTY LTD

ABN 51 004 762 341

Technical Publication N° HWS001

Issue: 12

Date: 9/14

Kelvinator Hot Water Services Parts Listings

INDIVIDUAL COMPONENTS MODELS

KKSSE1MA / PNC 956000859	Vacuum Tube Roof Kits
KKSSF1MA / PNC 956000857	Flat Panel Roof Kit (Single Collector)
KKSSF2MA / PNC 956000858	Flat Panel Roof Kits (Double Collector)
*KCPF20A / PNC 956000849	Flat Panel
KCPE12A / PNC 956000850	Vacuum Tubes
KKSSUA / PNC 956000863	Solar Pump
KCT27036A / PNC 956000841	Electric Boost Tanks
KCT34036A / PNC 956000842	Electric Boost Tanks
KCT45036A / PNC 956000843	Electric Boost Tanks
KCT27000A / PNC 956000845	Gas Boost Tanks
KCT34000A / PNC 956000846	Gas Boost Tanks
KGC20BNA / PNC 956000818	Gas Contious Flow
KGC20BLA / PNC 956000822	Gas Contious Flow
KGC20KNA / PNC 956000819	Gas Contious Flow
KGC20KLA / PNC 956000823	Gas Contious Flow
KGC26BNA / PNC 956000816	Gas Contious Flow
KGC26BLA / PNC 956000820	Gas Contious Flow
KGC26KNA / PNC 956000817	Gas Contious Flow
KGC26KLA / PNC 956000821	Gas Contious Flow
KGC26SNA / PNC 956000852	Gas Contious Flow (Solar applicarion)
KGC26SLA / PNC 956000862	Gas Contious Flow (Solar applicarion)
KGCMRCA / PNC 956000864	Remote Control (for gas units)
KSE362HPCA / PNC 956000866	Heat-Pump

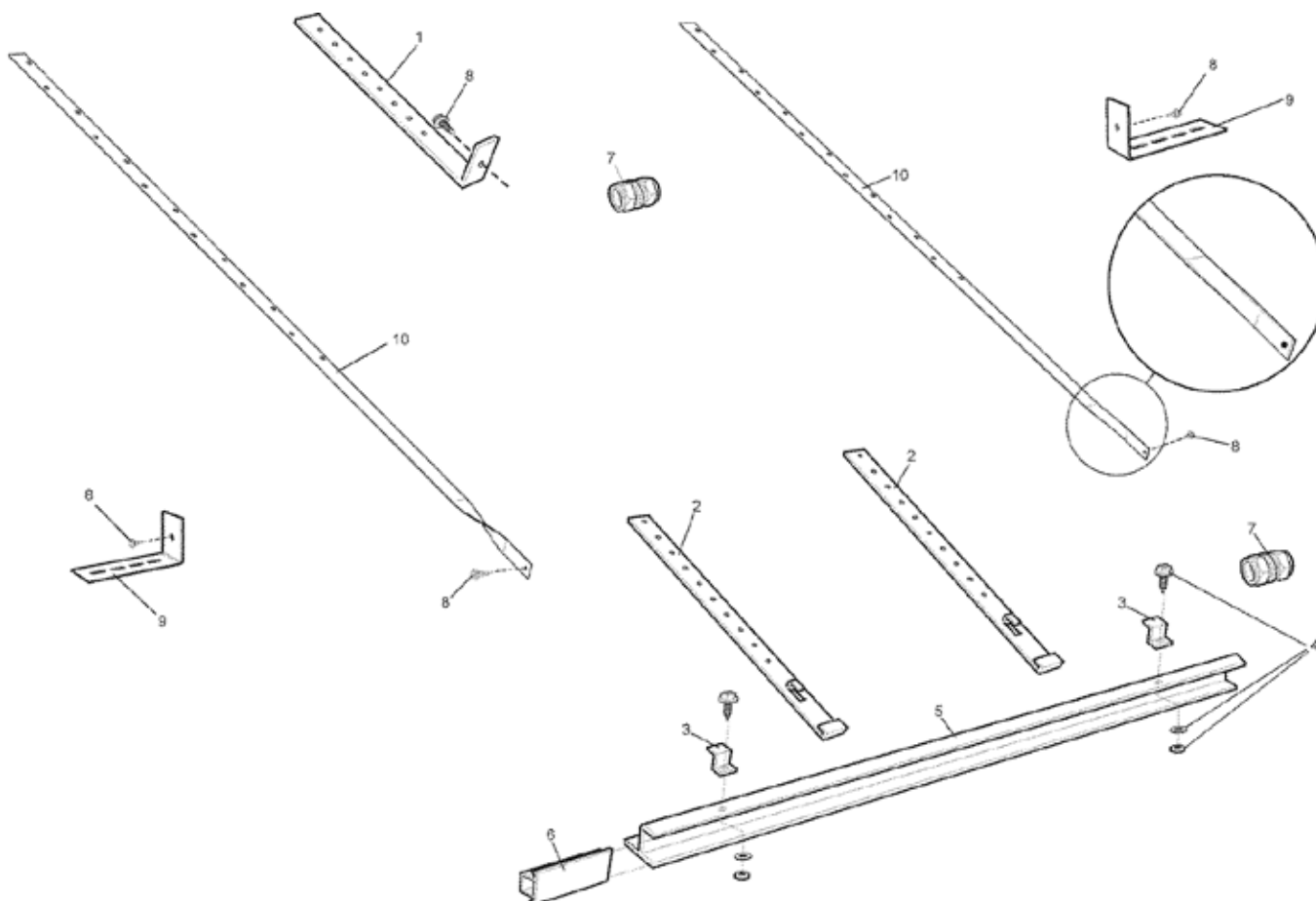
***Note: No Parts List For Flat Panel Units**

Type of system	System Description	Model N°
Heat Pump	Heat Pump 270L tank	KHPE27036A
	Heat Pump 340L tank	KHPE34036A
Gas Continuous Flow	Gas continuous 20l/min preset 50C	KGC20BNA
	Gas continuous 20l/min preset 60C	KGC20KNA
	Gas continuous 26l/min preset 50C	KGC26BNA
	Gas continuous 26l/min preset 60C	KGC26KNA
	Gas continuous Solar application 26l/min preset 70C	KGC26SNA
Solar Electric Boosted- Flat Panel	SS 270l tank- 2 Flat Panel	KSE270F2A
	SS 270l tank- 3 Flat Panel	KSE270F3A
	SS 340l tank- 2 Flat Panel	KSE340F2A
	SS 340l tank- 3 Flat Panel	KSE340F3A
	SS 450l tank- 3 Flat Panel	KSE450F3A
Solar Electric Boosted-Evac Tubes	SS electric 270l tank- 2 Evacuated tubes	KSE270E2A
	SS electric 270l tank- 3 Evacuated Tubes	KSE270E3A
	SS electric 340l tank- 2 Evacuated Tubes	KSE340E2A
	SS electric 340l tank- 3 Evacuated tubes	KSE340E3A
	SS electric 450l tank- 3 Evacuated tubes	KSE450E3A
Solar Gas Boosted- Flat Panel	SS Gas boosted- 270l tank- 2 Flat Panel	KSN27026F2A
	SS Gas boosted- 270l tank- 3 Flat Panel	KSN27026F3A
	SS Gas boosted- 340l tank- 2 Flat Panel	KSN34026F2A
	SS Gas boosted- 340l tank- 3 Flat Panel	KSN34026F3A
Solar Gas Boosted- Evac Tubes	SS Gas boosted- 270l tank- 2 Evacuated Tubes	KSN27026E2A
	SS Gas boosted- 270l tank- 3 Evacuated Tubes	KSN27026E3A
	SS Gas boosted- 340l tank- 2 Evacuated Tubes	KSN34026E2A
	SS Gas boosted- 340l tank- 3 Evacuated Tubes	KSN34026E3A

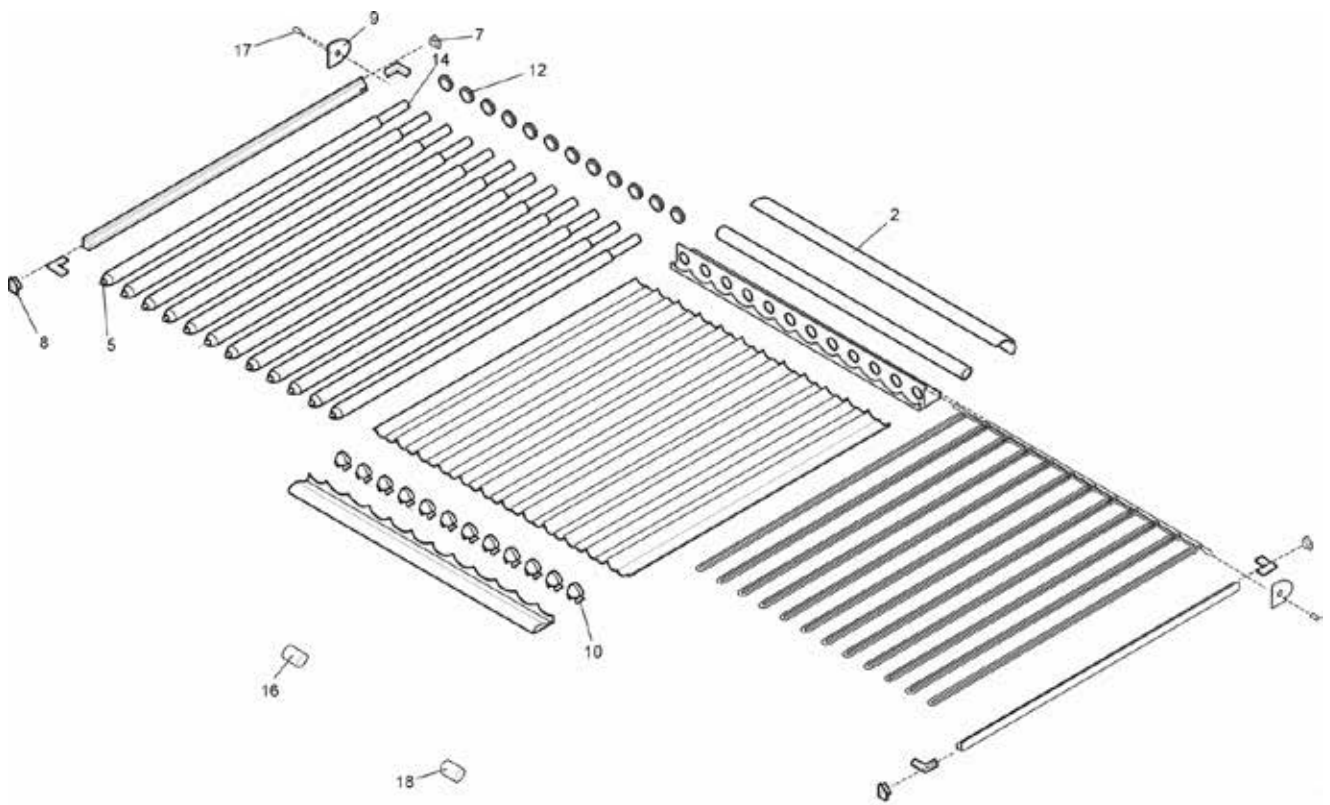
CONTENTS	PAGE N°
Type, Description and Model	2
Contents page	3
Roof Kits Flat Panel Parts & Views	4
Vacuum tubes Parts & Views	5
Pump Unit Parts & Views	6
Tanks Parts & views	7
Gas Booster units (continuous flow) Parts & Views	8-9
Heat Pump Unit parts & Views	10-11
Wiring Diagram Heat Pump	12

MODELS: KKSSF1MA PNC 956000857
KKSSF2MA PNC 956000858
KK SSE1MA PNC956000859

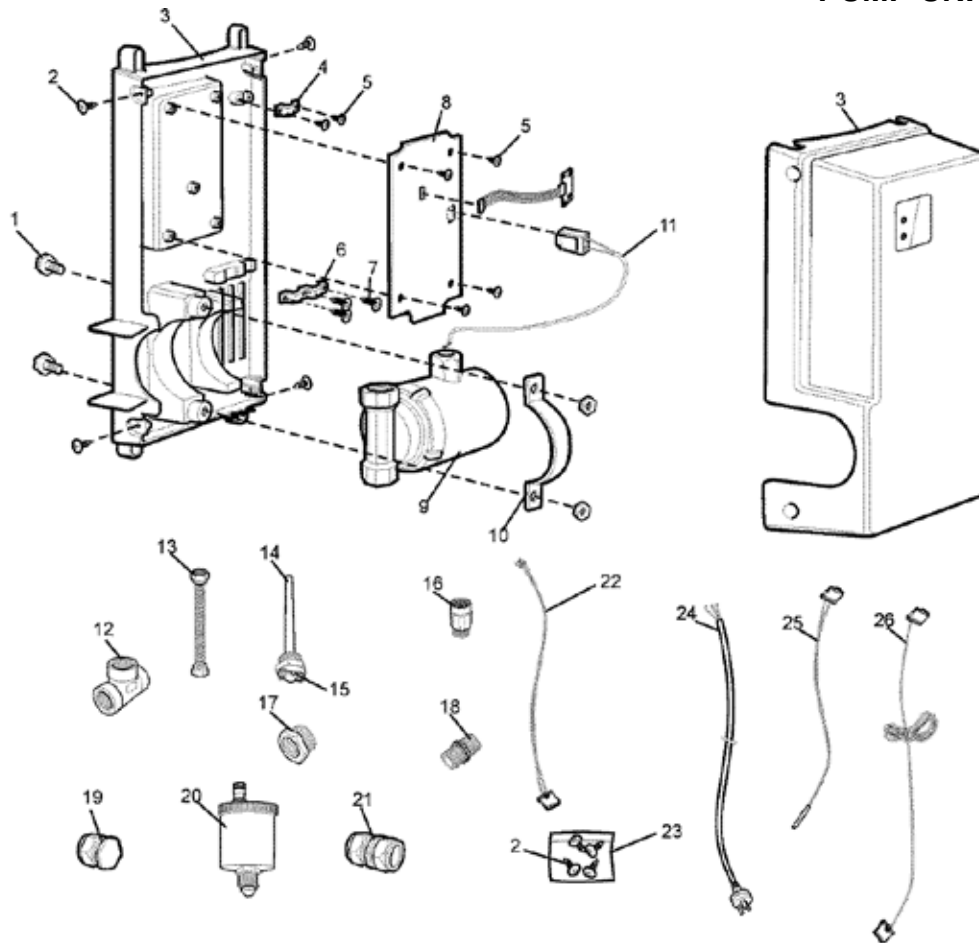
EX. VIEW DRAWING 7908
ROOF KITS FLAT PANEL



Item	Part N°	Description	Ex. 7908	F1MA	F2MA	E1MA
1	0040103258	Up-Hook		1	2	
2	0040103259	Down-Hook		2	2	2
3	0040103261	Clamp		2	4	
	ES6095	Clamp				2
4	0040600071	Bolt And Nut		2	4	2
5	0040103260	Rail For Single Collector		1		
	0040103263	Rail For Double Collectors			1	1*
6	0040103262	Rail Connector		1		1
7	0040103276	Connector-2		2	2	
8	0040600072	Self Tapping Screw		1	2	2
9	ES6092	Side Bracket for iron roof				2
10	ES6096	Top Twisted strap Left				1
	ES6097	Top Twisted strap Right				1
*Note: Cut To Suite						



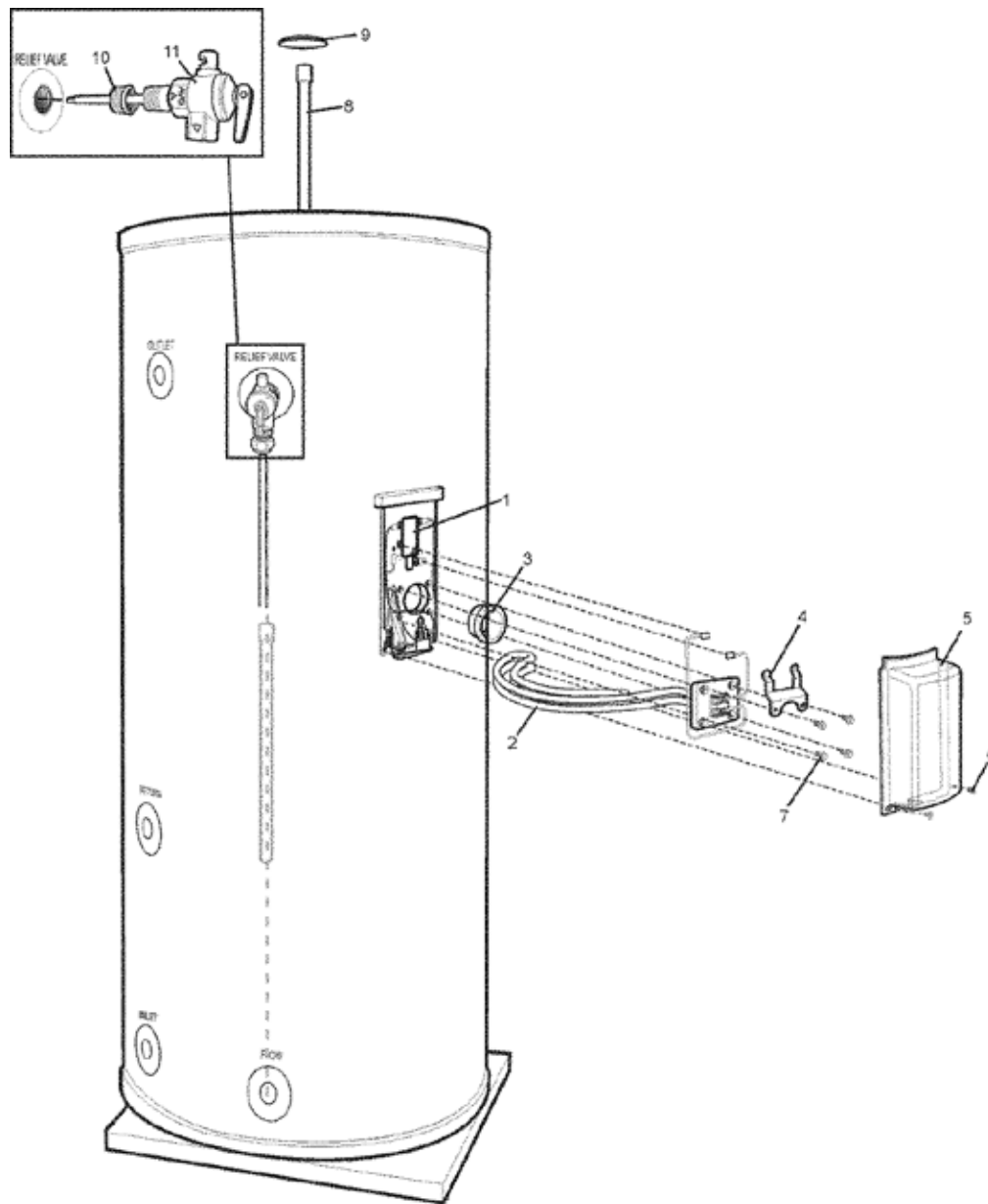
item	Part N°	Description	Vac Tube	Ex.7918	Qty
5	CPC15125	47-150 Tube			12
7	CPC15127	Right Rubber Plug			2
8	CPC15128	Left Rubber Plug			2
9	CPC15129	Side Cover			2
10	CPC151210	Tube Holder			12
12	CPC151212	Sealing Ring			12
14	CPC151214	Heat Transfer Sheet			12
16	CPC151216	Compression Connector	Between Connector		1
17	CPC151217	Sleeve			2
18	CPC151218	Compression Connector	End		2



Item	Part N°	Description	Solar Pump	Ex. 7910	Qty
2	0040600044R	ST4*12 Self Tapping Screw			8
3	0040804165	Pump Station Box Shell			1
4	0040200580	Cable Clamp			3
6	004HR095A003	Cable Clamp Double			1
8	0041800137	PC Board			1
9	0040401137	Pump			1
10	0040101147	Pump Clamp			1
11	0040400389	Pump Wire			1
12	0040103255	Tee Joint G 1/2F 1/2F 1/2F			3
13	0040103252	Bellows 1/2F-1/2F			1
14	0040103253	Sensor Pocket 160MM			2
15	004HR49A10	Sensor Plug			2
16	0040103251	Check Valve 1/2M-1/2F			1
17	0040103254	Nipple 1/2F-3/4M			2
18	0040103293	Nipple 1/2M-3/8F			1
19	0040103292	Stopper \varnothing 22			2
20	0040102315	Vent Valve			1
21	0040103291	Connector-1 \varnothing 22-1/2M			2
22	0040401136	Wire (450mm)			1
24	0040400032A	Power Cable			1
25	0040400388B	Sensor For The Tank			1
26	0040401144	Wire & Sensor Collector (15m)			1
NI	0040401144EXT	Wire Extension (15m)			X

MODELS: KCT27036A PNC 956000841
KCT34036A PNC 956000842
KCT45036A PNC 956000843
KCT27000A PNC956000845
KCT34000A PNC956000846

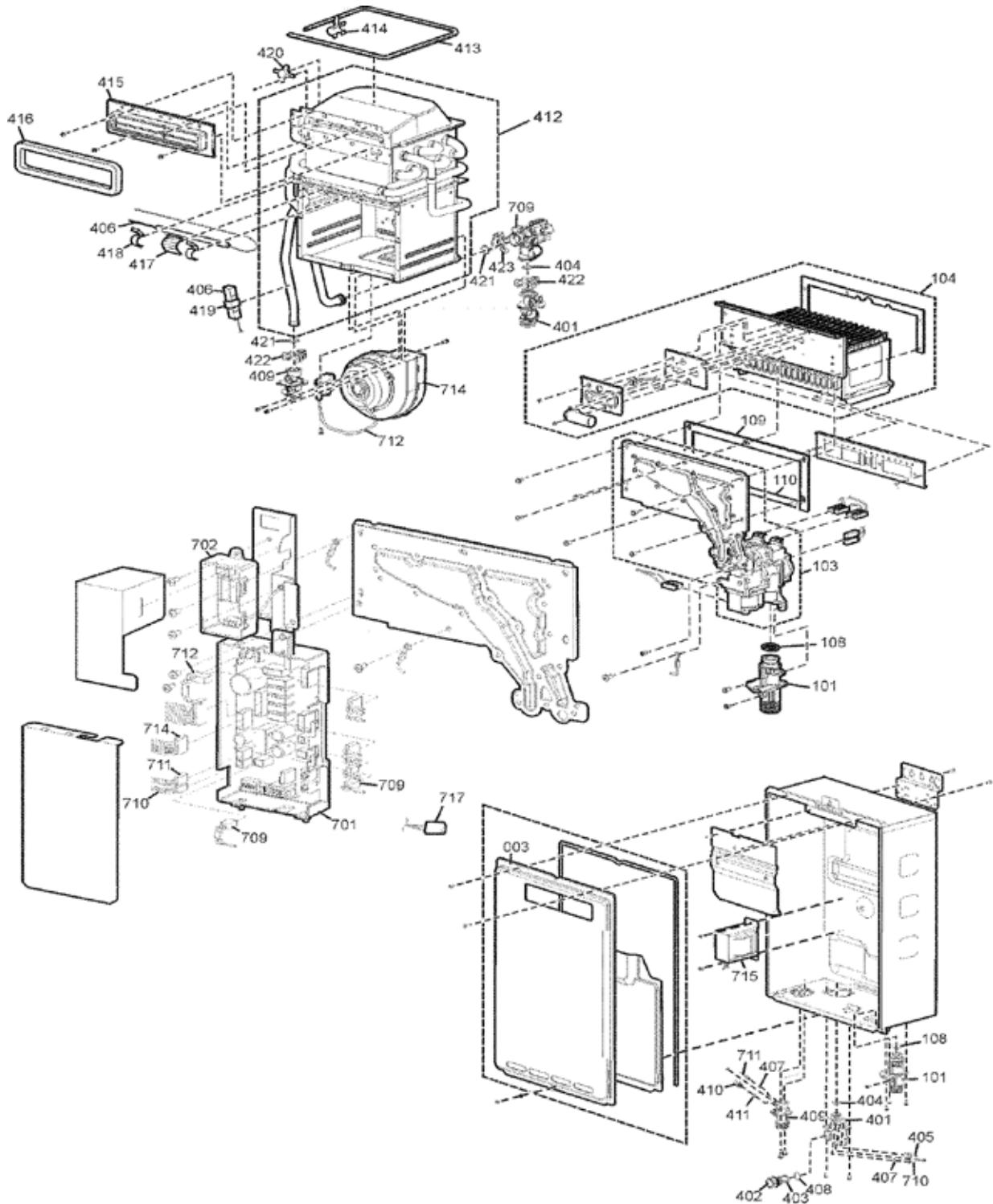
EX. VIEW DRAWING 7911
TANK PARTS



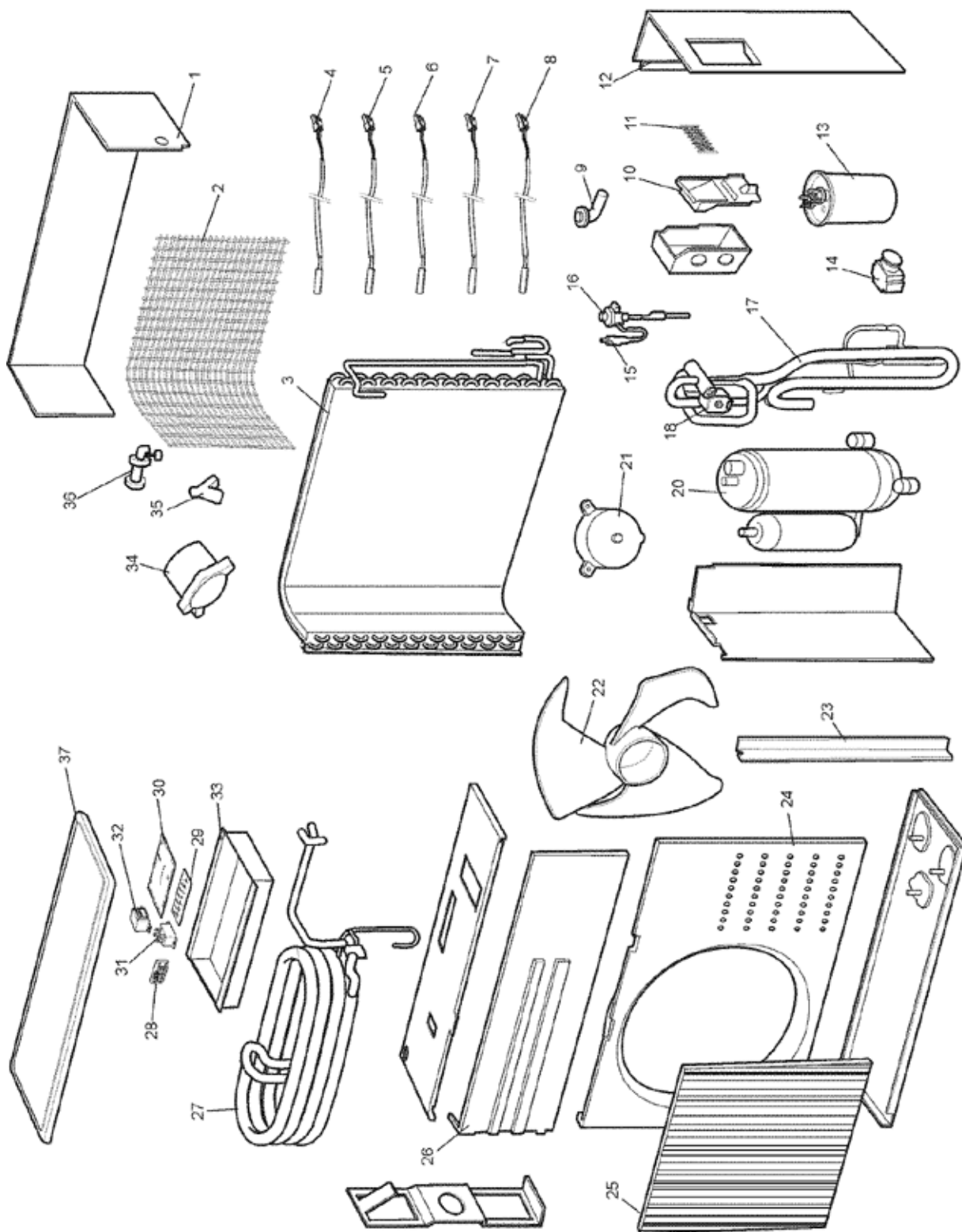
Item	Part N°	Description	Ex 7911	Elec	Gas
1	346100074	Thermostat		1	
2	346636000	Element 240V 3.6 KW		1	
3	321200065	Seal Element		1	
4	311104054	Thermo Clip		1	
5	310100133	Cover Electrical		1	
8	311764802	Anode (270 L Tank)1200mm		1	1
	311700252	Anode (340 L Tank) & (450L Tank)1480mm		1	1
	311773001	Anode (450L Tank)210mm		1	
9	320800175	Seal Cap Anode		1	1
10	310900242	Bushing Connector		1	1
11	356412020	Pressure Relief Valve		1	1

MODELS KGC20BNA PNC 956000818
 KGC20BLA / PNC 956000822
 KGC20KNA PNC 956000819
 KGC20KLA / PNC 956000823
 KGC26BNA PNC 956000816
 KGC26BLA / PNC 956000820
 KGC26KNA PNC 956000817
 KGC26KLA / PNC 956000821
 KGC26SNA PNC956000852
 KGC26SLA / PNC 956000862

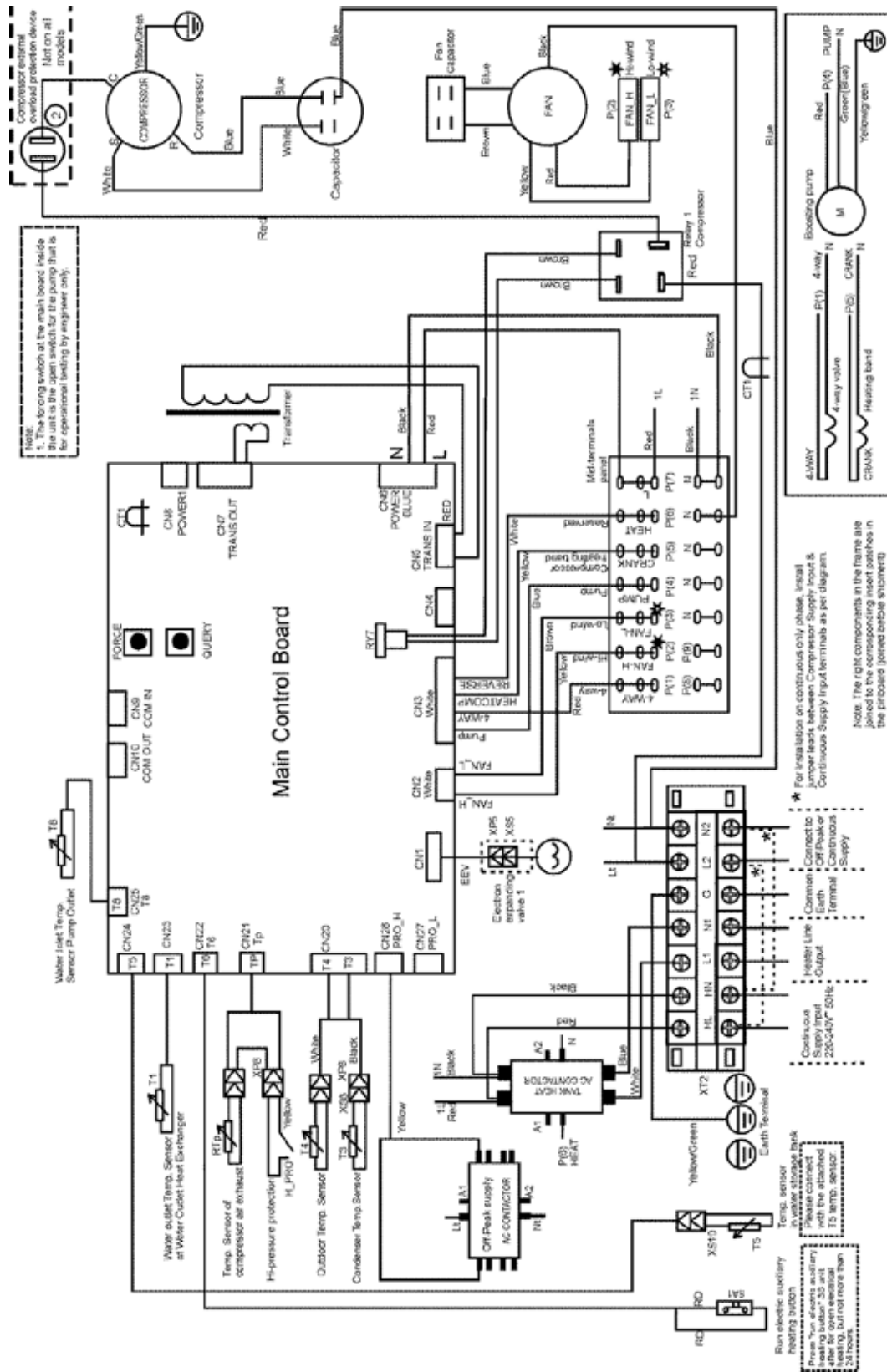
EX. VIEW DRAWING
7919
GAS BOOSTER



Item	Part N°	Description	Gas Boost	Ex. 7919	20L	20L	26L	26L
					60/70°C	50°C	60/70°C	50°C
003	EA170	Front Panel Assembly			1	1		
	EA169	Front Panel Assembly					1	1
101	EC030	Gas Inlet			1	1	1	1
103	EA00R	Manifold Assembly (LP)			1	1		
	EA00S	Manifold Assembly (Natural Gas)			1	1		
	EC03G	Manifold Assembly (LP)					1	1
	EC03H	Manifold Assembly (Natural Gas)					1	1
104	EA160	Burner Assembly			1	1		
	EX00N	Burner Assembly					1	1
	EKK0F	Rod igniter			1	1	1	1
	EKK0E	Rod Flame sensor			1	1	1	1
	EKK2W	Gasket			1	1	1	1
108	EK042	"O" Ring P20			1	1	1	1
109	EKK2Y	Manifold Gasket A			1	1	1	1
110	EKK2K	Manifold Gasket B			1	1	1	1
401	EX00Y	Cold Water Inlet			1	1	1	1
402	EKK2B	Inlet Drain Plug			1	1	1	1
403	EKK2C	Inlet Filter			1	1	1	1
404	EZM16	"O" Ring P16			1	1	1	1
405	EC02X	Inlet Heater			1	1	1	1
406	EC02Y	Pipe Heater			1	1	1	1
407	EZM04	"O" Ring P4			1	1	1	1
408	EZM15	"O" Ring P15			1	1	1	1
409	EX00X	Hot Water Outlet			1	1	1	1
410	EX01A	Outlet Drain Plug			1	1	1	1
411	EZM06	"O" Ring P6			1	1	1	1
412	EA00N	Heat Exchanger Assembly			1			
	EA174	Heat Exchanger Assembly (50C)				1		
	EC02N	Heat Exchanger Assembly					1	
	EA171	Heat Exchanger Assembly(50C)						1
413	EKK0S	Over Temperature Cord Type Fuse			1	1	1	1
414	EK029	Fuse Fixing Plates A			1	1	1	1
415	EKK56	Flue Outlet			1	1	1	1
416	EC014	Flue Outlet Silicon Ring Gasket			1	1	1	1
417	EKK27	Heater Fixing Plate A			1	1	1	1
418	EKK26	Fuse Fixing Plates B			1	1	1	1
419	EK031	Heater Fixing Plate B			1	1	1	1
420	EX00Z	Hi Limit Switch			1	1	1	1
421	EZM14	"O" Ring P14			1	1	1	1
422	EM192	Quick Fastener A			1	1	1	1
423	EKK24	Quick Fastener B			1	1	1	1
701	EC032	Computer Board			1	1	1	1
702	EC02S	Fuse Box			1	1	1	1
709	EX00W	Water Proportional Valve With Flow Sensor			1	1	1	1
710	EKK4J	Cold Water Inlet Thermistor			1	1	1	1
711	EKK55	Hot Water Outlet Thermistor			1	1	1	1
712	EA167	Igniter Wire			1	1		
	EC02G	Igniter Wire					1	1
714	EX02E	Fan Motor			1	1		
	EKK54	Fan Motor					1	1
715	EC02W	Transformer			1	1	1	1
717	EX007	Freeze Protection Thermostat			1	1	1	1
NI	EA00H	Power cord			1	1	1	1
NI	KGCMRCA	Remote Control			1	1	1	1



Item	Part N ^o	Description	Heat Pump Ex.7916	Qty
1	201290502787	Side Board (Top)		1
2	22011376G001	Rear Net		1
3	201590590005	Condenser Ass'y		1
4	202301300197	Room Temp Sensor Ass'y		1
5	202301300484	Temp Sensor Tank		1
6	202301300303	Temperature Sensor		2
7	202440500002	Temp Sensor Ass'y		1
8	202301300640	Discharge Temp Sensor Ass'y		1
9	11609121003	Drain Hose		1
10	201148100121	Big Handle		1
11	2023014A0012	Wire Joint (Mains Terminal block)		1
12	201290502788	Rear Right Clapboard Ass'y		1
13	202401000610	Compressor Capacitor		1
	202401100354	Motor Capacitor		1
14	202301800160	Switch Manual Set Ce4t-10r-01		1
15	201690590144	Throttle Ass'y		1
16	N.P.A	EEV Solenoid		1
17	201690590136	4-Way Valve Ass'y		1
18	N.P.A	Solenoid		1
20	201400630920	Compressor		1
21	202400400562	Motor		1
22	201100300506	Axial Flow Fan		1
23	201290502786	Left Supporter		1
24	201290502789	Front Panel		1
25	201190500343	Grille		1
26	201290502784	Side Board		1
27	201790590007	Shell And Tube Exchanger Ass'y		1
28	N.P.A	Switch Protection Wiring		1
29	201390500120	Middle Connection Board Ass'y		1
30	201390590063	Main Control Board Ass'y		1
31	202300800071	Relay		1
32	202300900109	Transformer		1
33	203390590084	E-Part Box Ass'y		1
34	202400600073	Pump Ass'y		1
35	N.P.A	Y Strainer		1
36	201690502817	Adapter Ass'y		1
37	201290502785	Top Cover		1
N. I.	201790590007	Shell & Tube Exchanger Assy		1
N. I.	201695020622	Drain Pipe Adapter		2
N. I.	202495030150	Compressor Electric Heater		1
N. I.	202300800120	Contacto		2
N. I.	0040103253	Sensor Pocket		1
N. I.	202700630001	Foot rubber mount		4
KSEHPKA Fitting Kit for Heat Pump Unit to Tank				
	2504	¾ " Elbow Male To Female		4
	3204	¾ " Nipple		3
	4204	¾ " female Tee		1
	WF0553	¾ " Stainless Steel Braided Hose		2
	MIX11116	Tempering Valve 50C		1



WARNING

IT IS ILLEGAL FOR PERSONS OTHER THAN LICENSED ELECTRICAL MECHANICS OR PERSONS AUTHORISED BY LEGISLATION TO WORK ON THE FIXED WIRING OF ANY ELECTRICAL INSTALLATION. PENALTIES FOR CONVICTION ARE SEVERE.

IMPORTANT SAFETY NOTICE

This diagram has been prepared for use by electrically qualified service technicians. The manufacturer cannot be held responsible for the interpretation of its service publications nor for any injury or damage that may occur in connection with their use.