



Electrolux

ELECTROLUX HOME PRODUCTS PTY LTD

ABN 51 004 762 341

Technical Publication N° HWS006

Issue: 1

Date: 8/13

Kelvinator Hot Water Services Parts Listings

MODELS:

KGC26BNB PNC 956000928

KGC26BLB PNC 956000929

Remote Controllers

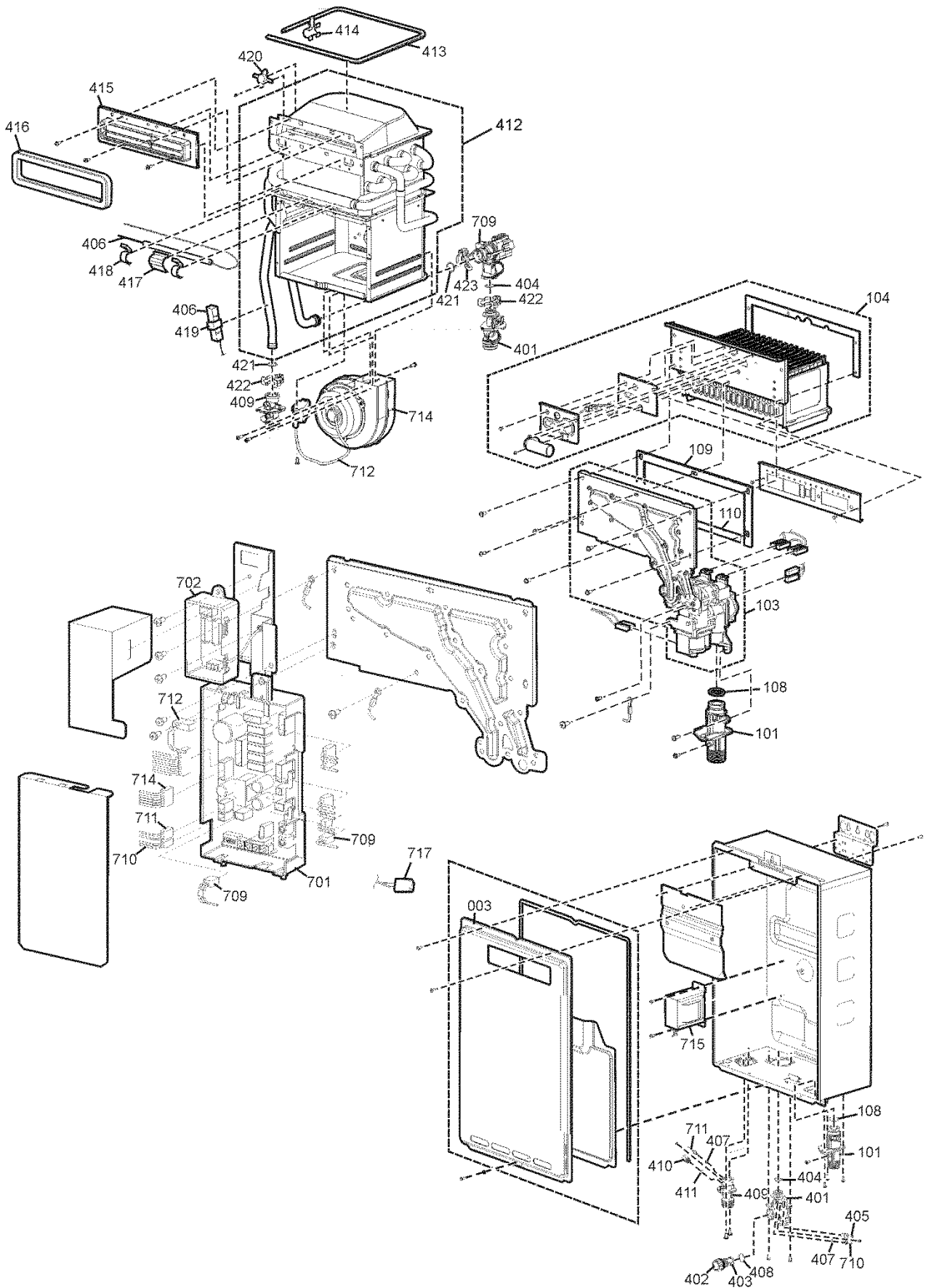
KGCMRCC PNC 956000930

KGCERCB PNC 956000911

KGCSRCB PNC 956000910

MODELS: KGC26BNB PNC 95600928
KGC26BLB PNC 95600929

EX. VIEW DRAWING 7919
GAS BOOSTER



Item	Part N°	Description Gas Boost Ex. 7919	26N	26L
	EA169	Front Panel Assembly	1	1
101	EC030	Gas Inlet	1	1
103	EC03G	Manifold Assembly (LP)		1
	EC03H	Manifold Assembly (Natural Gas)	1	
104	EX00N	Burner Assembly	1	1
108	EK042	"O" Ring P20	1	1
109	EKK2Y	Manifold Gasket A	1	1
110	EKK2K	Manifold Gasket B	1	1
401	EX00Y	Cold Water Inlet	1	1
402	EKK2B	Inlet Drain Plug	1	1
403	EKK2C	Inlet Filter	1	1
404	EZM16	"O" Ring P16	1	1
405	EC02X	Inlet Heater	1	1
406	EC02Y	Pipe Heater	1	1
407	EZM04	"O" Ring P4	1	1
408	EZM15	"O" Ring P15	1	1
409	EX00X	Hot Water Outlet	1	1
410	EX01A	Outlet Drain Plug	1	1
411	EZM06	"O" Ring P6	1	1
412	EA171	Heat Exchanger Assembly(50C)	1	1
413	EKK0S	Over Temperature Cord Type Fuse	1	1
414	EK029	Fuse Fixing Plates A	1	1
415	EKK56	Flue Outlet	1	1
416	EC014	Flue Outlet Silicon Ring Gasket	1	1
417	EKK27	Heater Fixing Plate A	1	1
418	EKK26	Fuse Fixing Plates B	1	1
419	EK031	Heater Fixing Plate B	1	1
420	EX00Z	Hi Limit Switch	1	1
421	EZM14	"O" Ring P14	1	1
422	EM192	Quick Fastener A	1	1
423	EKK24	Quick Fastener B	1	1
701	EC032B	Computer Board	1	1
702	EC02S	Fuse Box	1	1
709	EX00W	Water Proportional Valve With Flow Sensor	1	1
710	EKK4J	Cold Water Inlet Thermistor	1	1
711	EKK55	Hot Water Outlet Thermistor	1	1
712	EC02G	Igniter Wire	1	1
714	EKK54	Fan Motor	1	1
715	EC02W	Transformer	1	1
717	EX007	Freeze Protection Thermostat	1	1
N I	EAN0H	Power cord	1	1
	SWE-M205C005R	Fuse	2	2
Accessories				
N I	KGCMRCC	Remote Control Main	1	1
N I	KG CERC B	Remote Control Ensuite	1	1
N I	KGCSRCB	Remote Control Shower	1	1