



Electrolux

ELECTROLUX HOME PRODUCTS PTY LTD
ABN 51 004 762 341

Technical Publication N° HWS008

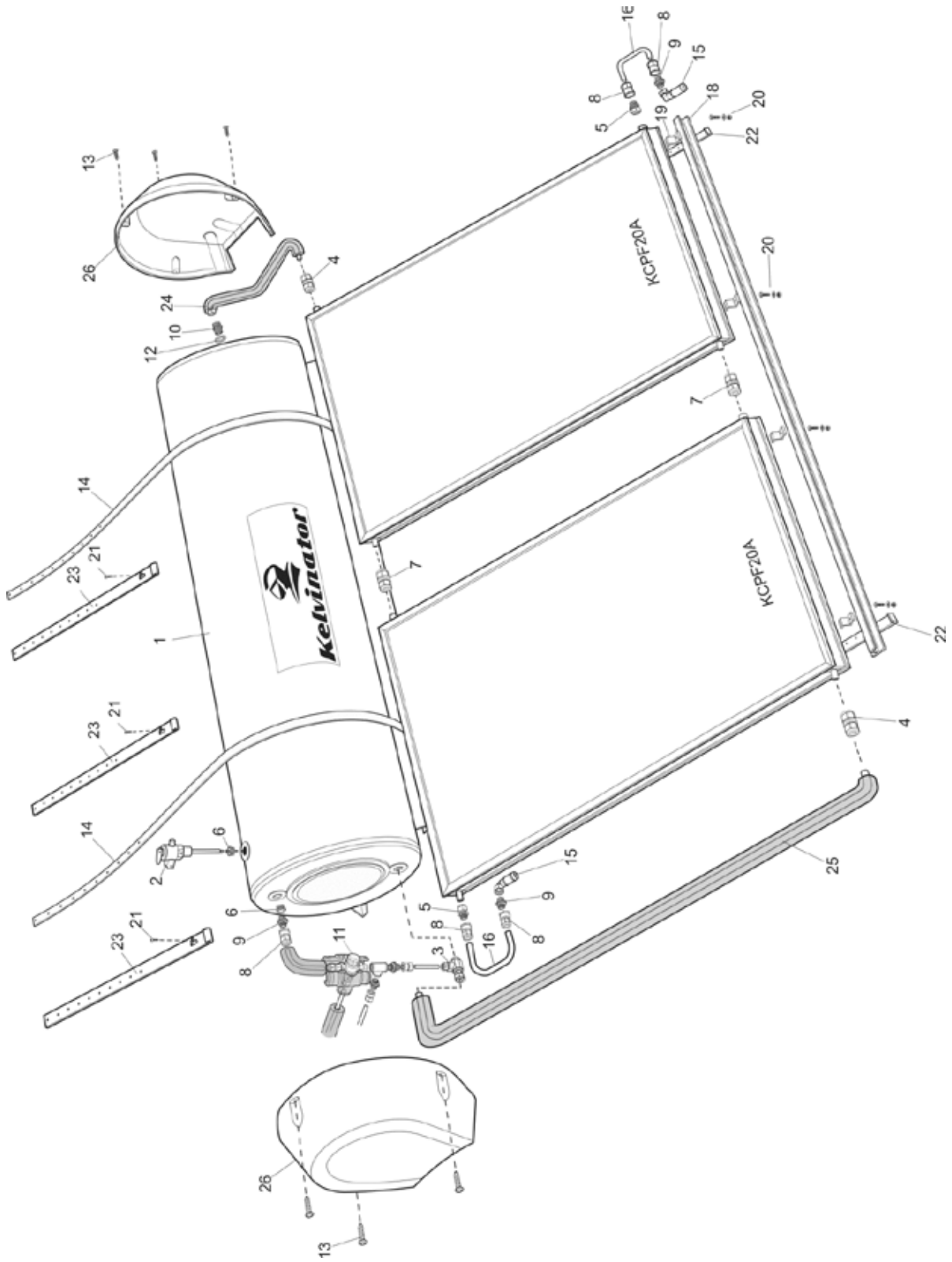
Issue: 1
Date: 2/15

Kelvinator Hot Water Service Thermosiphon Unit

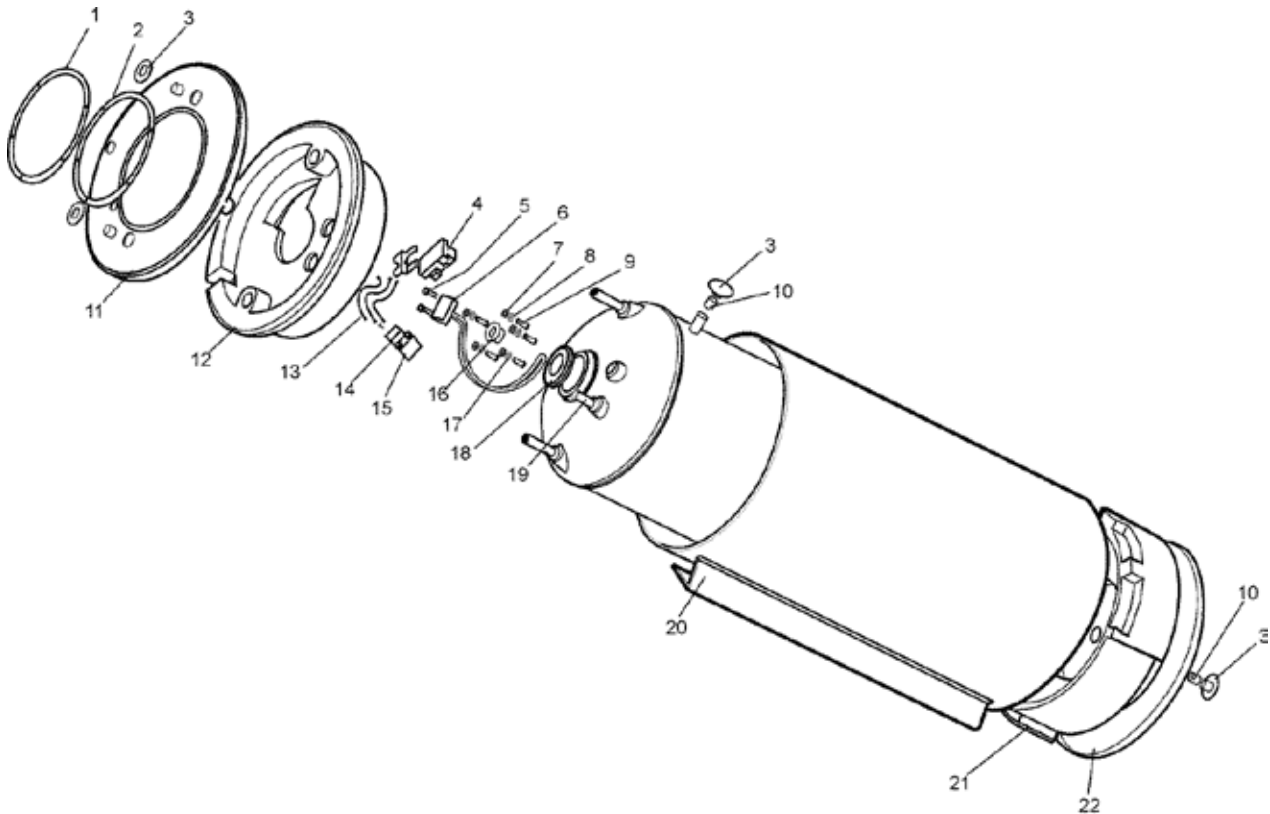
Parts Listings

MODEL

**KCT300TSA
PNC 956000891**



Item	Part N°	Description	8130	Qty
1	NPN	Tank not a spare part		1
2	356412020	T&PRV 850kpa		1
3	0040804647	Valve Arrestor Thermosiphon 3/4m 19 mm		1
4	0040103359	Union Collector Connector 19mm—22mm		2
5	0040103291	Union Collector Connector 22mm-1/2M		2
6	0040103254	Nipple Hex 3/4M-1/2F		2
7	0040103276	Union Collector 22mm—22mm		2
8	4920	Nipple Hex 1/2F-12 Mm		5
9	3203	Nipple Hex 1/2M- 1/2M		3
10	3204	Nipple Hex 3/4M- 3/4M		1
11	MIX11118I	Valve, Tempering Kelvinator Branded Lid		1
12	0040398013	Washer Fibre G3/4		1
13	NPN	Screw		6
14	0040103363B	Strap Front Mounting 0.8mm 2400mm		2
15	0040898005B	Valve Frost G1/2F		2
16	0040103277	Pipe ,Extension Frost Valve		2
18	0040103263	Rail Aluminium Collector, 2150mm		1
19	0040103261	Clamp Collector Aluminium		4
20	0040600071	Bolt, Nut And Washer Assembly M8		4
21	0040600072	Screw Self Tapping M4.8		3
22	0040103259	Strap Collector 1mm SS304, 634mm		2
23	0040103259A	Strap Back Mounting 1mm SUS304, 816mm		3
24	0040103358A	Insulation Solar Hot Pipe 19mm-,20 Mm		1
25	0040103358A	Insulation Solar Cold Pipe 19mm,20 mm		1
26	0040201386	Cover End Plastic Black		2



Item	Part N°	Description	8153	Qty
1	0040201309	Cover Electric		1
2	0040300269	Seal Ring		1
3	0040201472	Mulch		4
4	346100074	Thermostat		1
5	0040600018R	Bolt 20 M8*		4
6	0040401109	Element		1
7	0040600006R	Nut M8		5
8	0040300020	Gasket		4
9	0040600029R	Bolt M8		5
10	0040201475	Mulch		4
11	0040103105A	End Cover		1
12	0040300551	Cushion		1
13	0040401110	Electrical Wire		1
14	0040400459	Terminal Board		1
15	0040103298	Fixing Board		1
16	0040300276A	Seal Ring		1
17	0040400410	Resistance		1
18	0040103363	Flange		1
19	0040103150	Anode		1
20	0040804783A	Support		1
21	0040500199	Cushion		1
22	0040103106	Cover End		1