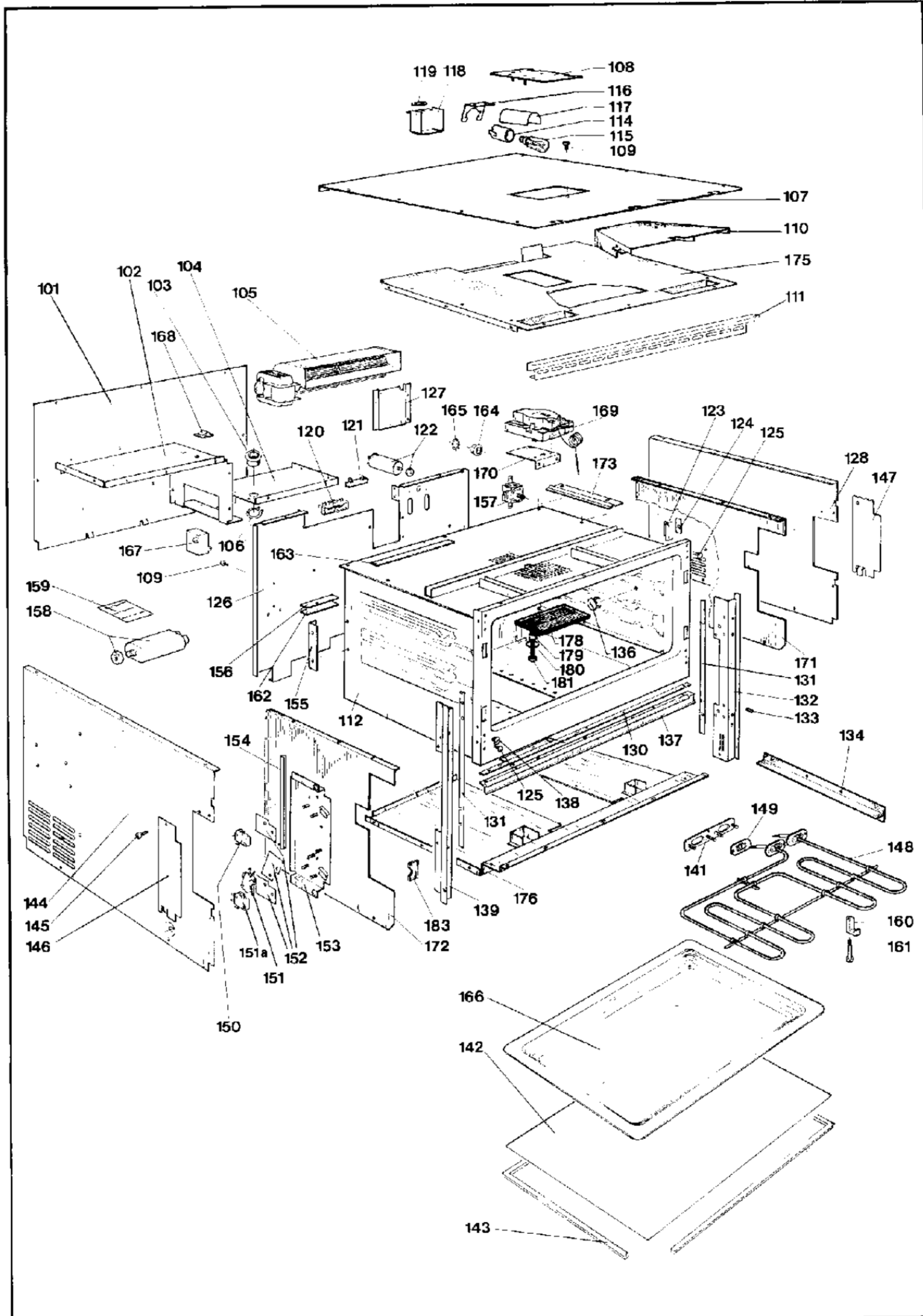


GAGGENAU

ERSATZTEIL-LISTE
SPARE PARTS LIST

EM 830/831-100, 110, 120, 140, 160

EM 830/831-100, 110, 120, 140, 160 Fr. Bl. 1 4/93



Stueckliste E630099

EM830100	EM830100F	EM830110	EM830110F	EM830120	EM830120F	EM830140
EM830160	EM830160F	EM831100	EM831100F	EM831110	EM831110F	EM831120
EM831120F	EM831140	EM831160	EM831160F			

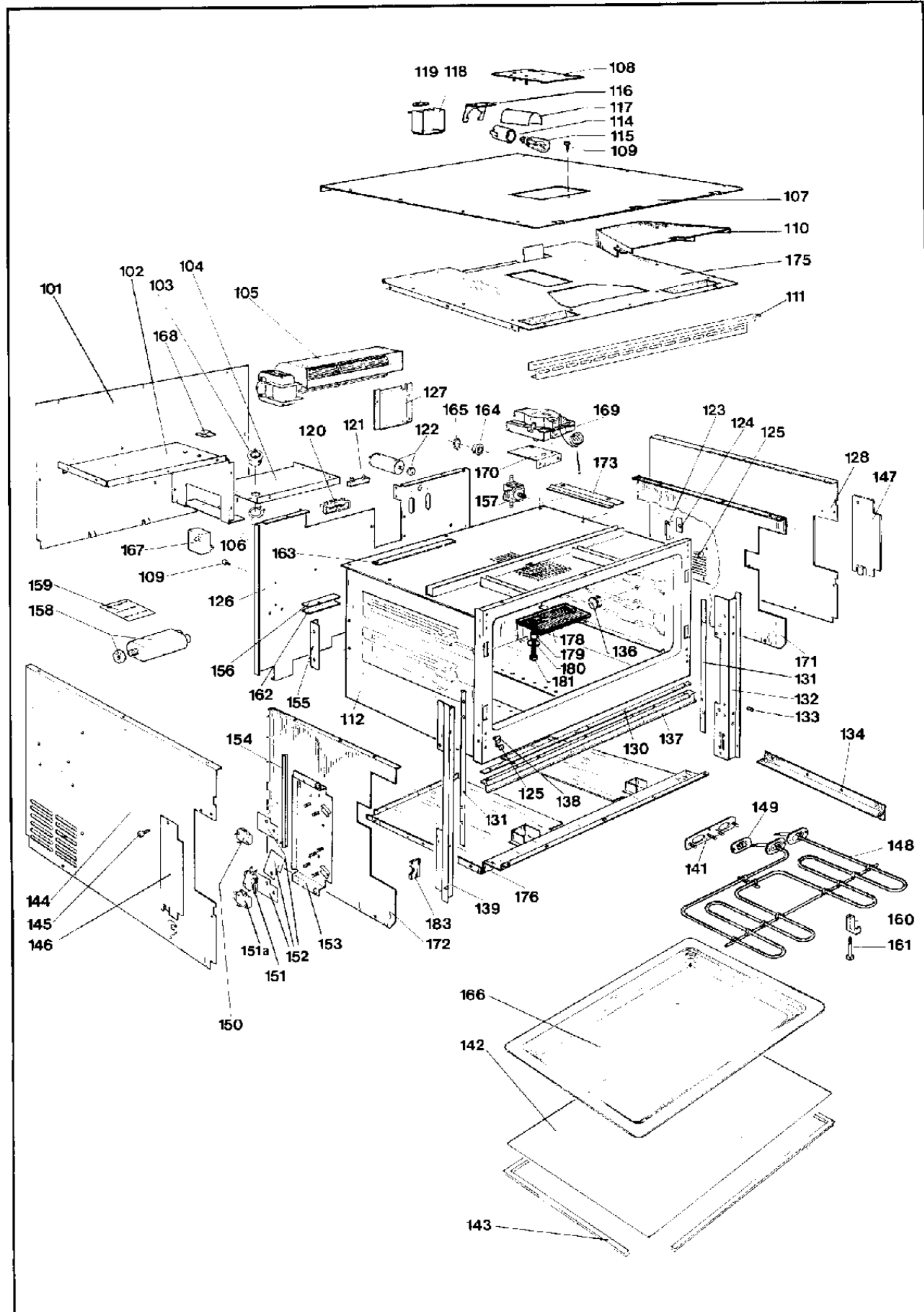
Pos.	Mat-Nr.	Bezeichnung	Description
150	157484	Schalter 6 A 250 V	Switch 6 A 250 V
151	156431	Schalter 16 A mit Hebel	Switch 16 A with Lever
151a	157485	Schalter 16 A ohne Hebel	Switch 16 A without Lever
152	323584	Isolierpapier	Insulatingpaper
153	291488	Halteblech gen.	Fixing sheet riveted
154	156422	Kantenschutz	Edge protection
155	323810	Winkel	Angle
156	292844	Abdeckblech 0	Cover sheet 0
157	156409	Protektor 120	Protector 120
158	155703	Kondensator 1,2 nF EM 830/831	Capacitor 1,2 nF EM 830/831
	155692	Kondensator 1,3 nF EM 830/831 F	Capacitor 1,3 nF EM 830/831 F
159	157289	Etikett	Label
160	320419	Halter fuer Heizkoerper	Support for heating element
161	156924	Schraube	Screw
162	155426	Dichtungsband	Gasket strip
163	155426	Dichtungsband	Gasket strip
164	323579	Kabeldurchfuehrung 0 7,2	Grommet 0 7,2
165	320719	Seegering	Ring
166	211468	Glaswanne	Glass tray
167	156953	Relais	Relay
168	322691	Kabelschelle	Clip
169	156887	Regler	Controller
170	098686	Halteblech	Fixing sheet
171	211489	Zwischenwand re bis Serv.	Intermediate wall
172	211491	Zwischenwand li bis Serv.	Intermediate wall
173	098687	Halteblech	Fixing sheet
175	211575	Zwischenwand, oben	Intermediate wall, top
176	291387	Zwischenwand, unten	Intermediate wall, bottom
178	156800	Scheibe (Beleuchtung)	Panel(Lighting)
179	320890	Huelse	Sleeve
180	155414	Scheibe	Washer
181	155390	Schraube M5 x15	Screw M5x15
183	157342	Distanzscheibe	Washer

GAGGENAU

ERSATZTEIL-LISTE
SPARE PARTS LIST

EM 830/831-100, 110, 120, 140, 160

EM 830/831-100, 110, 120, 140, 160 Fr. Bl. 1 4/93



Stueckliste E630099

EM830100	EM830100F	EM830110	EM830110F	EM830120	EM830120F	EM830140
EM830160	EM830160F	EM831100	EM831100F	EM831110	EM831110F	EM831120
EM831120F	EM831140	EM831160	EM831160F			

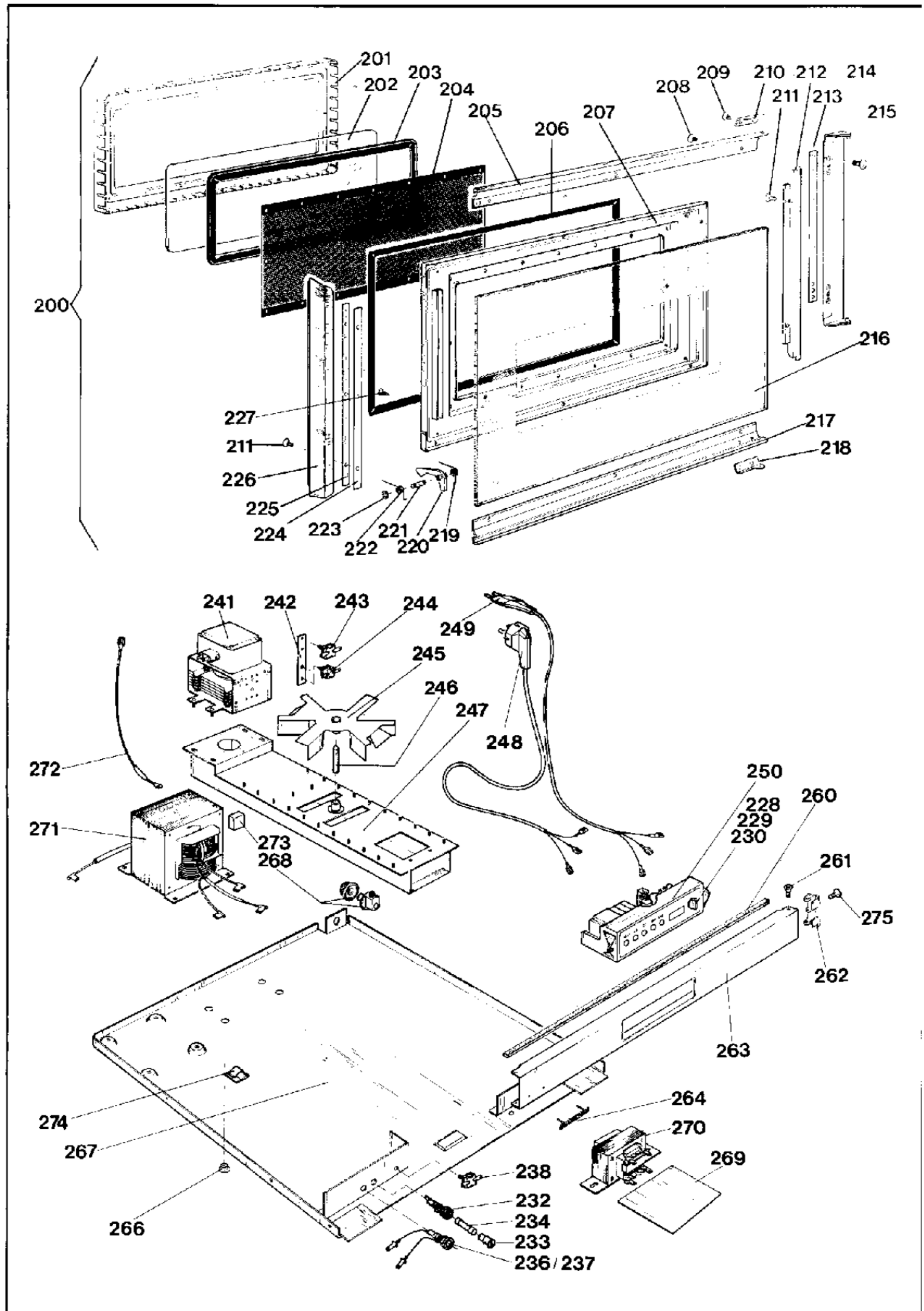
Pos.	Mat-Nr.	Bezeichnung	Description
101	211508	Rueckwand	Rear wall
102	211565	Abdichtblech	Cover sheet
103	156455	Kabeldurchfuehrung 0 13	Grommet 0 13
104	211566	Abdichtblech	Deflecting sheet
105	141408	Geblaese	Blower fan
106	320719	Seegering	Ring
107	233381	Deckblech	Cover sheet
108	097457	Deckel gen.	Cover, riveted
109	155402	Schraube M4x10 GX	Screw M4x10 GX
110	210913	Luftleitblech	Deflecting sheet
111	291093	Leiste, oben	Panel, top
112	211198	Garraum gen.	Inner oven
114	322629	Lampenfassung	Lamp socket
115	156537	Lampe 25 W 220 V	Lamp 25 W 220 V
116	156764	Halteblech	Fixing sheet
117	156766	Reflektorblech	Reflecting sheet
118	156703	Deckblech	Cover sheet
119	321969	Halteleaste	Fixing lash
120	156342	Klemmleiste 4pol.	Terminal connector 4 p
121	157106	Widerstand 30 Ohm	Resistance 30 Ohm
122	155697	Entstoerfilter	Anti-disturb-filter
123	321263	Winkel	Angle
124	320306	Unterlage	Base
125	322003	Zweispitzniet	Rivet
126	291388	Zwischenwand, hinten	Intermediate wall, rea
127	098245	Abdichtblech	Cover sheet
128	211579	Seitenwand, rechts	Side wall, right h.
130	097876	Unterlage fuer Blende	Base for panel
131	291291	Unterlage	Base
132	291160	Halteschiene, rechts	Fixing rail, right h.
133	320813	Gewindestift M4x4	Screw M4x4
134	292807	Halteschiene	fixing rail
136	321168	Abdeckkappe	Cap
137	292240	Leiste	Panel
138	321260	Kappe	Cap
139	291159	Halteschiene, links	Fixing rail, left h.
141	097543	Halteblech gen.	Fixing sheet riveted
142	292148	Bodenplatte	Bottom plate
143	155803	Dichtung	Gasket
144	211578	Seitenwand, links	Side wall, left h.
145	155402	Schraube M4x10	Screw M4x10
146	097972	Deckel, links	Cover, left h.
147	097973	Deckel, rechts	Cover, right h.
148	098655	Heizkoerper	Heating element
149	322299	Halteblech	Fixing sheet

GAGGENAU

ERSATZTEIL-LISTE
SPARE PARTS LIST

EM 830/831-100, 110, 120, 140, 160

EM 830/831-100, 110, 120, 140, 160 Fr. Bl. 2 4/93



Stueckliste E630099

EM830100 EM830100F EM830110 EM830110F EM830120 EM830120F EM830140
 EM830160 EM830160F EM831100 EM831100F EM831110 EM831110F EM831120
 EM831120F EM831140 EM831160 EM831160F

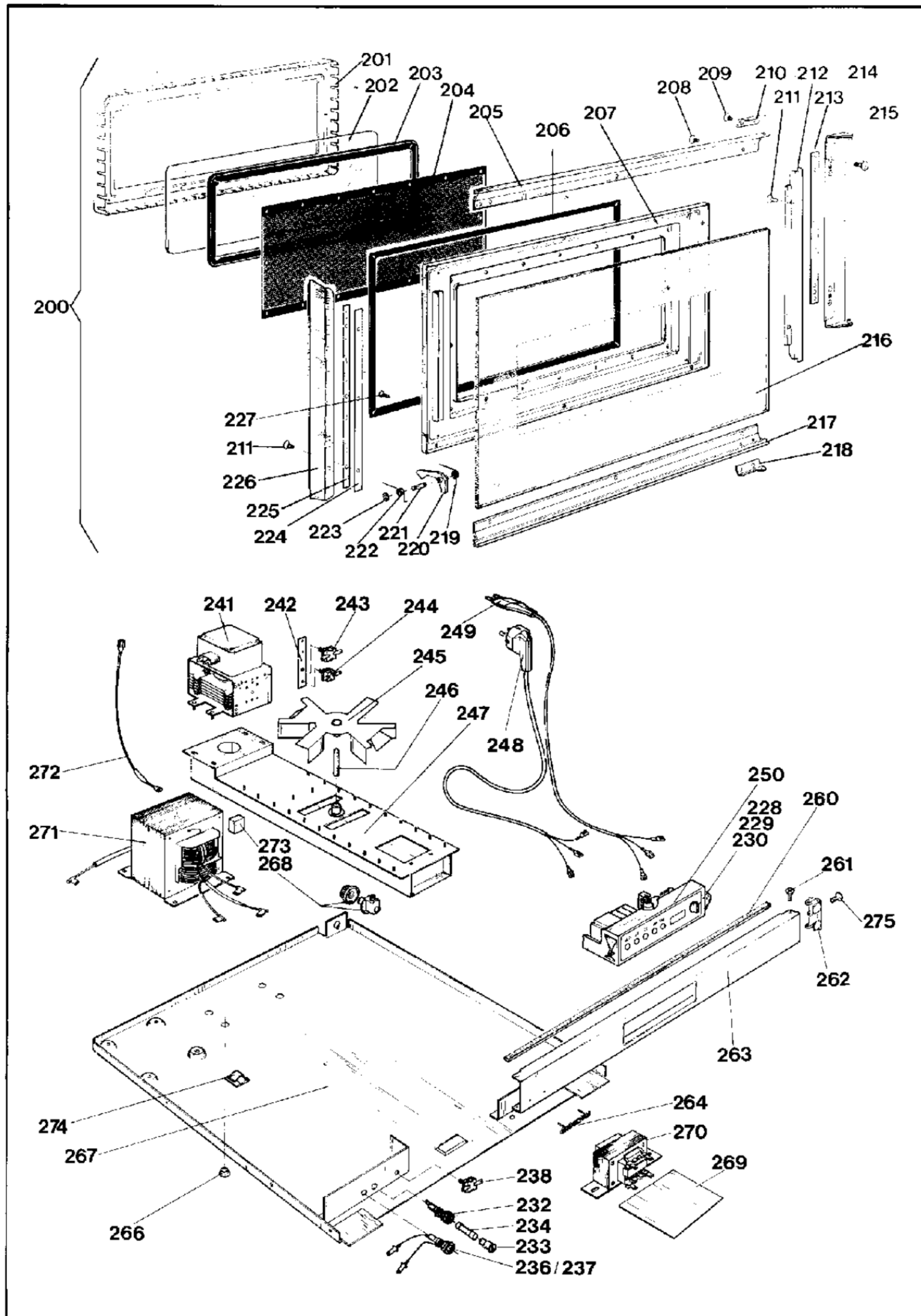
Pos.	Mat-Nr.	Bezeichnung	Description
200	211102	Tuer kpl. re EM 830-100/F	Door complete EM 830-1
	211103	Tuer kpl. re EM 830-110/F	Door complete EM 830-1
	233332	Tuer kpl. re EM 830-120/F	Door complete EM 830-1
	211113	Tuer kpl. re EM 830-140/F	Door complete EM 830-1
	211130	Tuer kpl. re EM 830-160/F	Door complete EM 830-1
	210619	Tuer kpl. Li EM 831-100/F	Door complete EM 831-1
	211105	Tuer kpl. Li EM 831-110/F	Door complete EM 831-1
	211106	Tuer kpl. Li EM 831-120/F	Door complete EM 831-1
	211114	Tuer kpl. Li EM 831-140/F	Door complete EM 831-1
	291373	Tuer kpl. Li EM 831-160/F	Door complete EM 831-1
201	291311	Tuerrahmen	Door frame
202	292146	Tuerscheibe innen	Door shield inside
203	097390	Dichtung innen	Gasket inside
204	292323	Abschirmgitter	Protecting grid
205	292546	Halteschiene, oben EM 830	Supporting rail, top
		-100/110/120/140/160/F	EM 831-100/110/120/140/160/F
	292539	Halteschiene, oben EM 831	Supporting rail, top
		-100/110/120/140/160/F	EM 831-100/110/120/140/160/F
206	097391	Dichtung	Gasket
207	291370	Tuerfuellblech EM 830	Door filling sheet EM 830
	211020	Tuerfuellblech EM 831	Door filling sheet EM 831
208	322171	Senkschraube B4,2x9,5	Screw B4,2x9,5
209	155492	Senkschraube M4x10	Screw M4x10
210	320159	Halteblech, oben EM 830	Fixing sheet, top EM 830
	320162	Halteblech, oben EM 831	Fixing sheet, top EM 831
211	321336	Senkschraube	Screw
212	291146	Halteschiene, seidl. schwarz	Fixing rail, lateral black
		EM 830/831-100/110/160/F	EM 830/831-100/110/160/F
	291157	Halteschiene, seidl. weiss	Fixing rail, lateral white
		EM 830/831-120/140/F	EM 830/831-120/140/F
213	291292	Unterlage	Base
214	290833	Scharnierwinkel	Hinge angle
215	155397	Senkschraube M5x10	Screw M5x10
216	292653	Tuerscheibe, aussen	Outer door shield
		EM 830/831-160	EM 830/831-160
	292149	Tuerscheibe, aussen	Outer door shield
		EM 830/831-100/110/140	EM 830/831-100/110/140
	292152	Tuerscheibe, aussen	Outer door shield
		EM 830/831-120	EM 830/831-120
217	292546	Halteschiene, unten	Lower fixing rail
		EM 831-100/110/120/140/160/F	EM 831-100/110/120/140/160/F
	292539	Halteschiene, unten	Lower fixing rail
		EM 830-100/110/120/140/160	EM 830-100/110/120/140/160
218	320162	Halteblech, unten	Lower fixing sheet
		EM 830-100/110/120/140/160/F	EM 830-100/110/120/140/160/F
	320159	Halteblech, unten	Lower fixing sheet
		EM 831-100/110/120/140/160/F	EM 831-100/110/120/140/160/F

GAGGENAU

ERSATZTEIL-LISTE
SPARE PARTS LIST

EM 830/831-100, 110, 120, 140, 160

EM 830/831-100, 110, 120, 140, 160 Fr. Bl. 2 4/93



Stueckliste E630099

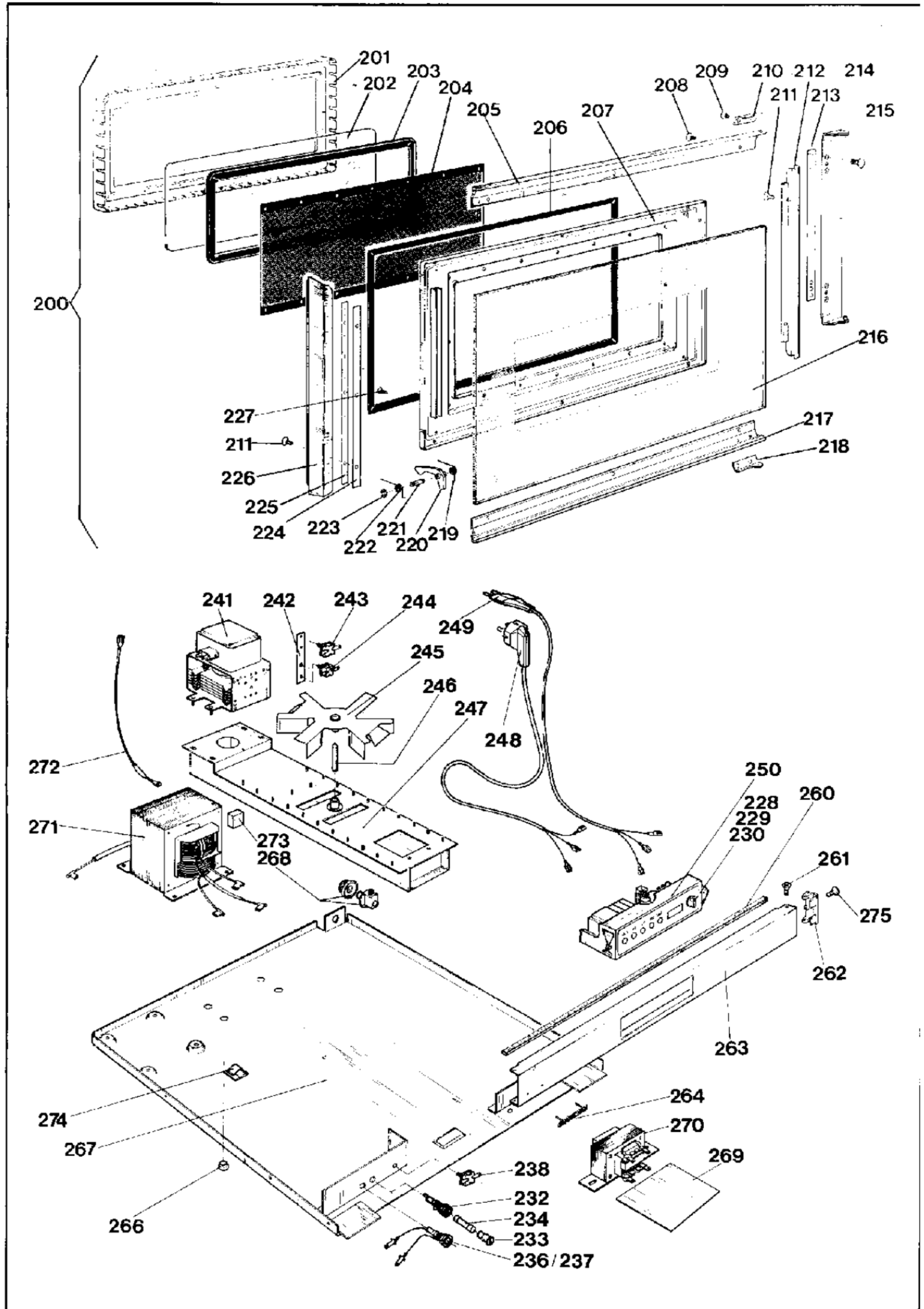
EM830100	EM830100F	EM830110	EM830110F	EM830120	EM830120F	EM830140
EM830160	EM830160F	EM831100	EM831100F	EM831110	EM831110F	EM831120
EM831120F	EM831140	EM831160	EM831160F			

Pos.	Mat-Nr.	Bezeichnung	Description
219	322796	Feder	Spring
220	155634	Verschlusshebel	Locking lever
221	320631	Bolzen	Bolt
222	155764	Feder	Spring
223	320510	Sicherungsscheibe	Securing washer
224	292066	Unterlage	Washer
225	156562	Unterlage	Washer
226	098462	Griffschiene EM 830/831 -100/160	Handle EM 830/831 -100/160
	098463	Griffschiene EM 830/831 -120/140	Handle EM 830/831 -120/140
	292543	Griffschiene EM 830/831 - 110	Handle EM 830/831 - 110
227	321398	Schraube	Screw
228	157414	Knebel schw. -100/110/160	Knob black -100/110/16
229	321361	Knebel weiss -120/140	Knob white -120/140
230	155766	Feder fuer Knebel	Spring for knob
232	157128	Sicherungshalter bis Serv.Nr.	Securing support to serv.no.
233	322843	Sicherungsdeckel	Lid
234	157134	Sicherung 10A	Fuse 10A
		Sicherung 1A	Fuse 1A
236	16 0728	Sicherungshalter ab Serv.Nr.	Securing-support from serv.no.
237	323892	Sicherungshalter	Securing support
238	156399	Protector 55 bis Serv.Nr.	Protector 55 to serv.no
241	156683	Magnetron	Magnetron
242	323773	Halteblech	Fixing sheet
243	156408	Protector 100	Protector 100
244	157001	Protector 70	Protector 70
245	292476	Stirrerfluegel	Stirrer fan
246	323562	Stirrerachse	Stirrershaft
247	097508	Hohlleiter	Wave guide
248	320301	Anschlusskabel	Power cord
249	097551	Anschlusskabel CH	Power cord CH
250	097532	Elektronik kpl. EM 830/831-100/110/160/F	Printed circuit board EM 830/831-100/110/160/F
	097533	Elektronik kpl. EM 830/831-120/140/F	Printed circuit board EM 830/831-120/140/F
260	323863	Dichtungsband	Sealing strip
261	320812	Senkschraube M4x8	Screw M4x8
262	322155	Endstueck schw.-100/110/160/F	End part black-100/110/160/F
	320959	Endstueck weiss-120/140/F	End part white-120/140/F
263	291459	Blende kpl. EM 830/831-100/F	Switchboard panel EM 830/831-
	291467	Blende kpl. EM 830/831-110/F	Switchboard panel EM 830/831-
	291468	Blende kpl. EM 830/831 -120/140/F	Switchboard panel EM 830/831 -120/140/
	291571	Blende kpl. EM 830/831-160/F	Switchboard panel EM 830/831-

GAGGENAU

ERSATZTEIL-LISTE
SPARE PARTS LIST

EM 830/831-100, 110, 120, 140, 160
EM 830/831-100, 110, 120, 140, 160 Fr. Bl. 2 4/93



Stueckliste E630099

EM830100	EM830100F	EM830110	EM830110F	EM830120	EM830120F	EM830140
EM830160	EM830160F	EM831100	EM831100F	EM831110	EM831110F	EM831120
EM831120F	EM831140	EM831160	EM831160F			

Pos.	Mat-Nr.	Bezeichnung	Description
264	156747	Firmenzeichen schwarz EM 830/831-100/110/160	Name plate black EM 830/831-100/110/160
264	156748	Firmenzeichen Weiss EM 830/831-120/140	Name plate white EM 830/831-120/140
266	156479	Blindstopfen	Stopper
267	211189	Bodenblech	Bottom sheet
268	322048	Zugentlastung	Cable traction relief
269	321650	Isolierpapier	Insulating paper
270	098369	Transformator	Transformer
271	098367	Transformator	Transformer
272	097494	Litze mit Diode	Cable with diode
273	321634	Distanzstueck	Distance piece
274	322691	Kabelschelle	Cable Clip
275	155492	Schraube M4x6	Screw M4x6